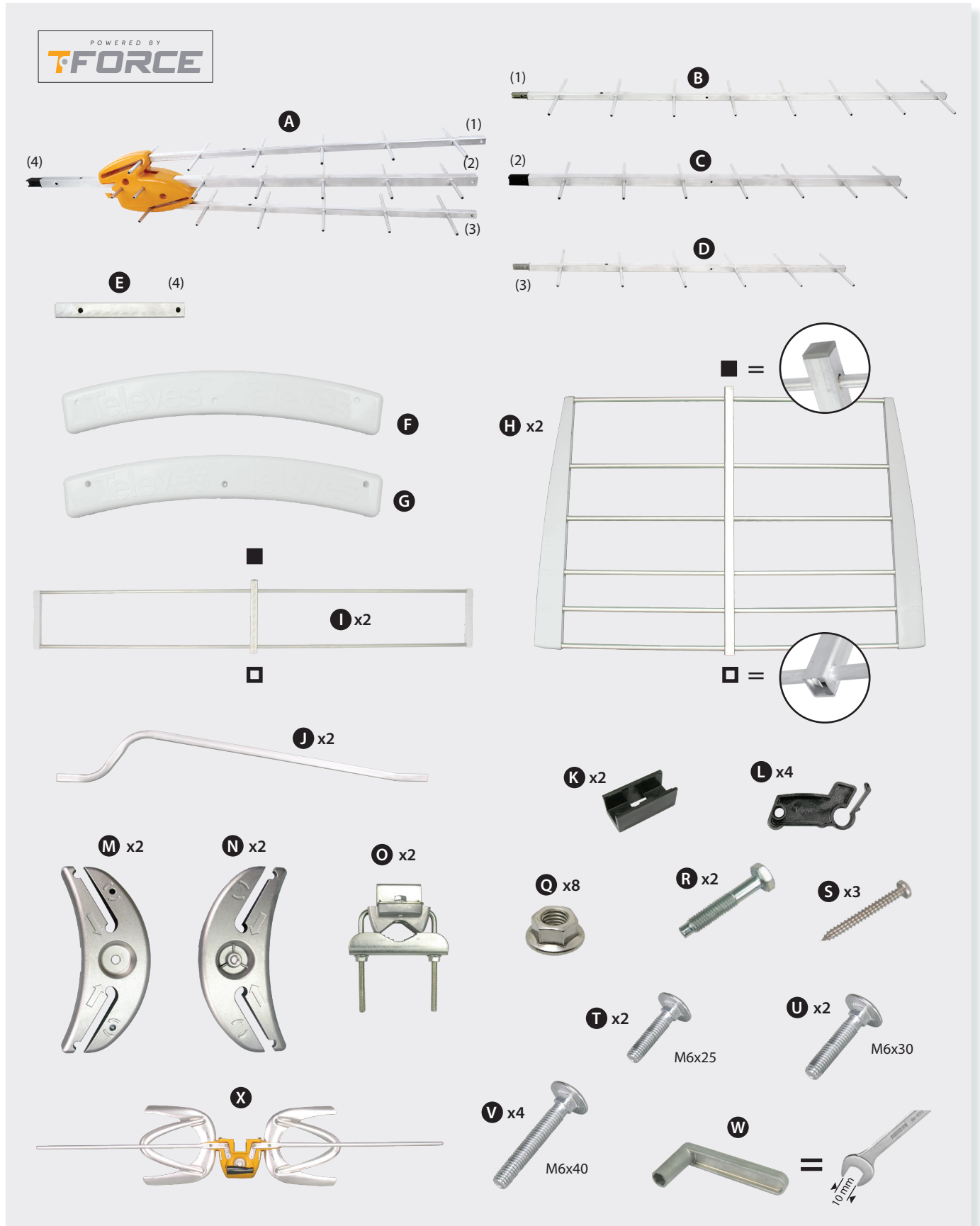
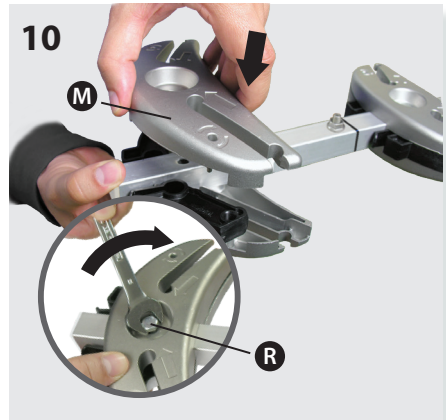
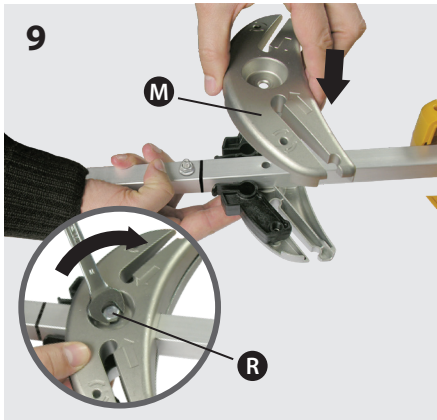
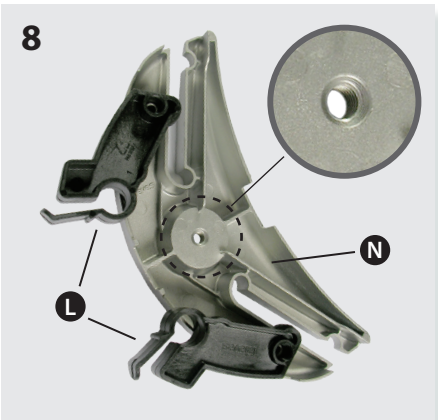
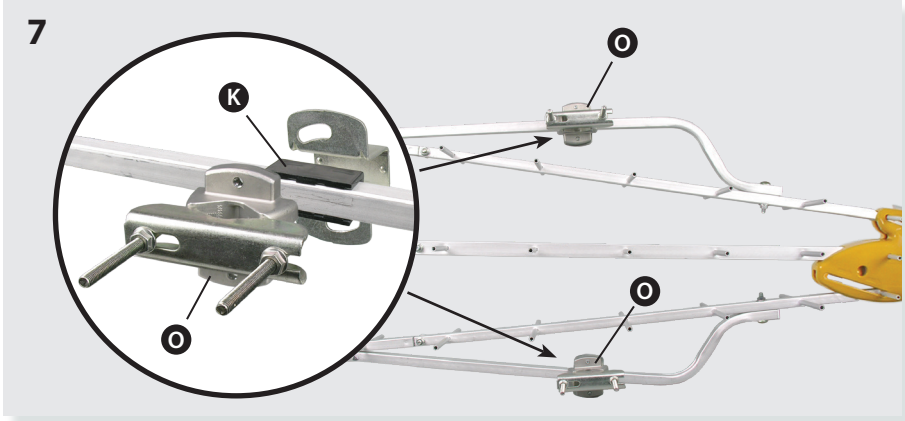
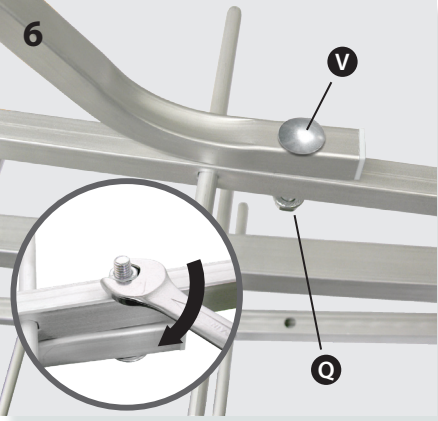
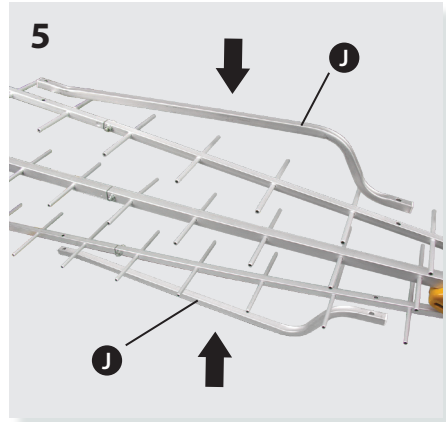
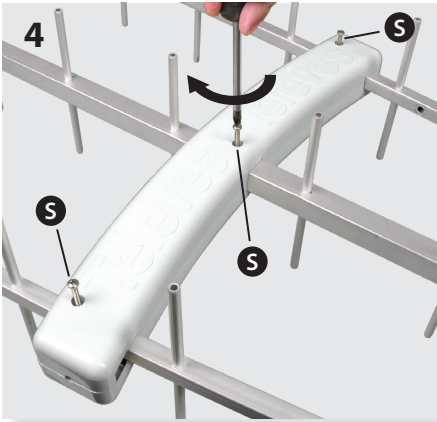
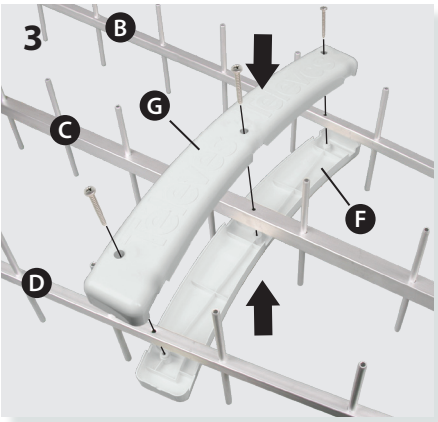
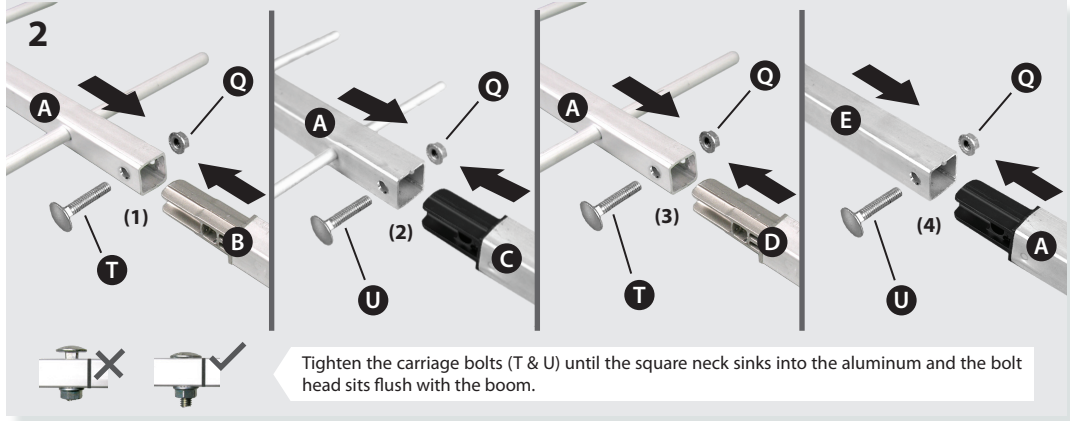
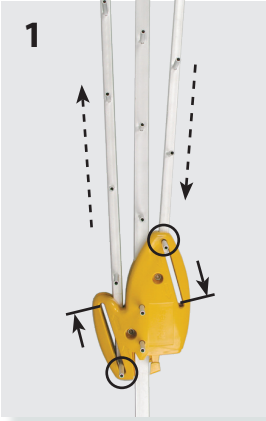


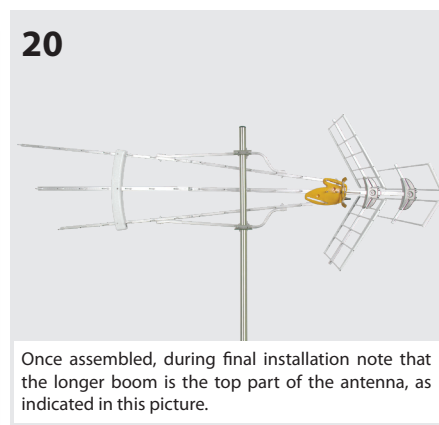
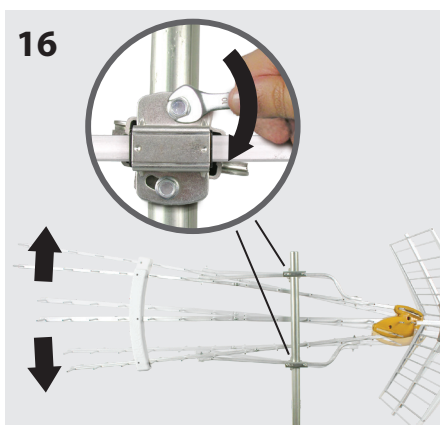
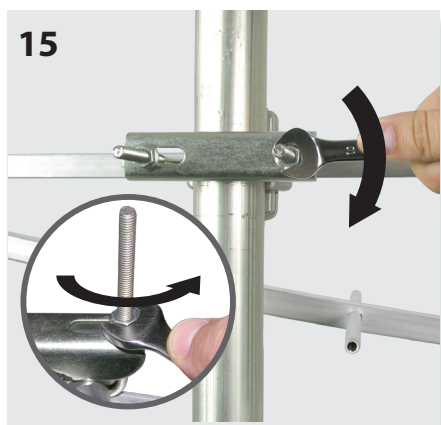
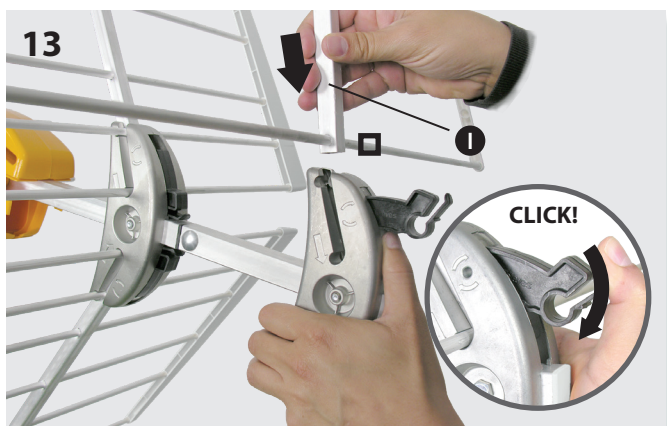
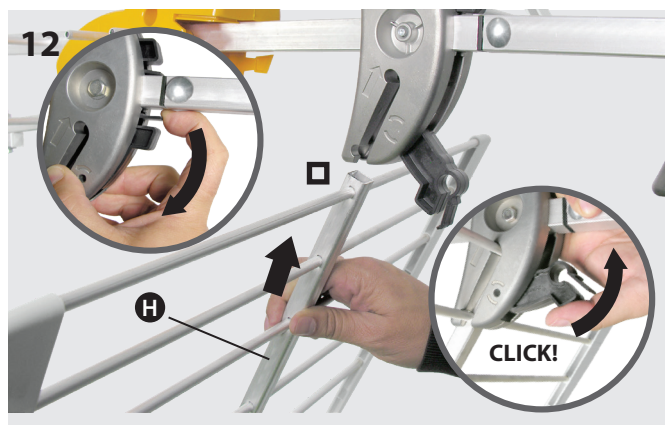
Kit Antenna / Kit Antena

Ref. 149883 (Ant-149821 + PSU-550104 + **W**)

DATBOSSMIX LR







Technical specifications / Características técnicas

Mode	Modo	MHz	BOSS OFF (Passive)		BOSS ON (Active)	
			High VHF 174 - 216 (CH7 - CH13)	UHF 470 - 698 (CH14 - CH51)	High VHF 174 - 216 (CH7 - CH13)	UHF 470 - 698 (CH14 - CH51)
Operating band	Banda de trabajo		8.5	18	36,5	46
Gain	Ganancia	dB	----		Auto*	
Output level	Nivel de salida		----		2 typ	
Noise figure	Figura de ruido	dB	----		40 max	
Power supply	Alimentación	V _{DC}	27°			
Consumption	Consumo	mA				
Beamwidth	Ancho de haz	°				
F/B ratio	Relación D/A	dB	>15	>25	>15	>25
Wind load	Carga al viento	N	141 (@ 80 miles/h) 194 (@ 93 miles/h)			

Watch TFORCE video



A00392

*The gain is automatically adjusted according to the level of output / La ganancia varía automáticamente en función del nivel de salida.

Safety Instructions:

LIGHTNING PROTECTION

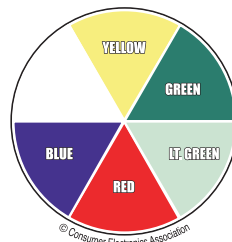
- ◆ If installed outdoors, be sure the antenna system is grounded so as to provide protection against voltage surges and built-up static charges. Section 810 of the National Electrical Code ANSI/NFPA70, or CSA C22.1 sections 10, 16, and 54, of the Canadian Electrical Code, provide information with respect to proper grounding of the mast and supporting structure, grounding of the antenna lead-in wire to an antenna discharge unit, size of grounding conductors, location of antenna-discharge unit, connection to grounding electrodes, and requirements for the grounding electrode (see figure and instructions).
- ◆ Mount the lightning arrester or 75 ohm coaxial grounding block as close as possible to where the 75 ohm coaxial cable download enters the house.
- ◆ The ground wires for both the mast and the download should be copper or aluminum wire, number eight (8) or larger.
- ◆ The download wire from the antenna to the lightning arrester and the mast ground wire should be secured to the house, spaced from four (4) to six (6) feet apart.
- ◆ In the case of a "ground up" antenna installation it may not be necessary to ground the mast if the mast extends four or more feet in the earth. Consult a TV serviceman for the proper depth in your location.

WARNINGS

- ◆ To prevent fire or shock hazard, do not expose the included power supply to rain or moisture.
- ◆ Installation of off-air antennas near power lines is dangerous. For your safety, follow the installation instructions.
- ◆ Any alteration or modification to the product or usage not in accordance with product instructions voids the warranty.

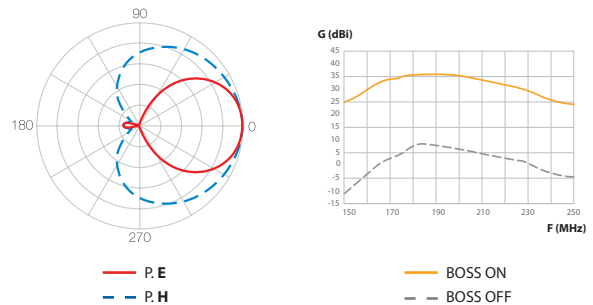
Antenna Selector

This antenna works in the following zone(s).



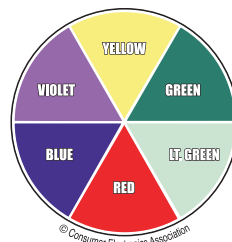
See the TV Antenna Selector Map to find the zone in which you live.

High-VHF



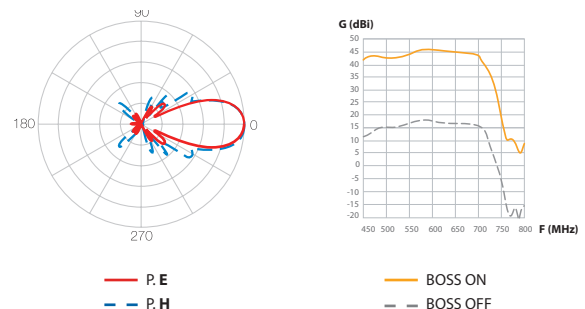
Antenna Selector

This antenna works in the following zone(s).

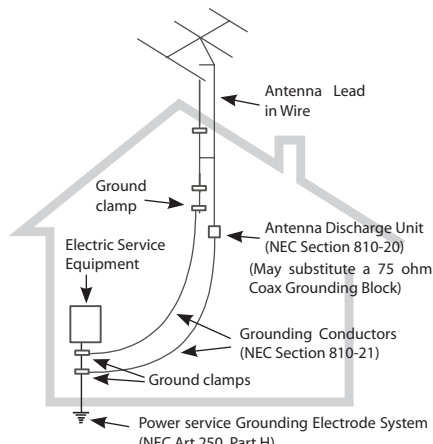


See the TV Antenna Selector Map to find the zone in which you live.

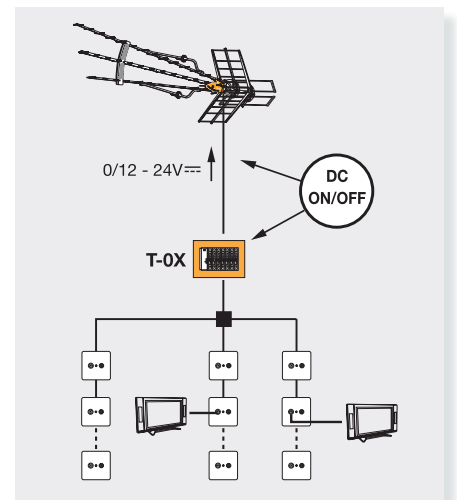
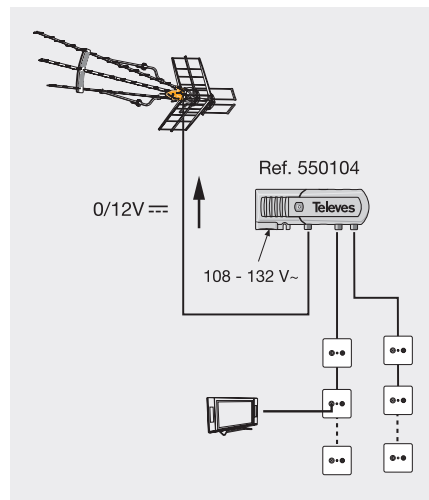
UHF



Example of antenna grounding as per National Electrical Code, ANSI/NFPA 70



NEC - National Electrical Code



DECLARACIÓN DE CONFORMIDAD ■ DECLARATION OF CONFORMITY ■ DECLARAÇÃO DE CONFORMIDADE ■ DECLARATION OF CONFORMITE ■ DICHIARAZIONE DI CONFORMITÀ ■ DEKLARACJA ZGODNOŚCI ■ KONFORMITÄTSEKLÄRUNG ■ ΠΙΣΤΟΠΟΙΗΤΙΚΟ ΣΥΜΜΟΡΦΩΣΗΣ ■ FÖRSÄKRAN OM ÖVERENSSTÄMMELSE ■ ДЕКЛАРАЦИЯ СООТВЕТСТВИЯ ■ بيان المطابقة
► <https://doc.televes.com>

Televes USA LLC. Norfolk Tech Center 16596 E. 2nd Avenue Aurora, CO 80011 (USA)

televes.usa@televes.com

www.televes.com

