

NEW SANUS Component Racks

MODELS CFR1620, CFR1615

Skeleton Racks to the rescue

Introducing Stackable Skeleton Racks from SANUS. This self-aligning structure requires only four bolts and can be assembled without special tools in less than 10 minutes. Choose from five possible height combinations from 15U to 40U for added customization. Compatible with the EcoSystem™ and small parts panel, Stackable Racks are the best way to increase efficiency to your system. Optional plastic feet are included for easy sliding and can support up to 600 lbs of gear. Plus, choose from a caster kit for added versatility or swivel kit for increased accessibility.



MODELS CFR1620, CFR1615

Stackable Skeleton Racks

RACK SPACES

CFR1620 - 20U
CFR1615 - 15U

WEIGHT CAPACITY

Floor - 600 lbs. / 272.2 kg
Wall - 200 lbs. / 90.7 kg

PRODUCT DIMENSIONS (w x d x h)

CFR1620 - 20.4" x 20" x 35"
51.8 x 50.8 x 88.9 cm
CFR1615 - 20.4" x 20" x 26.2"
51.8 x 50.8 x 66.5 cm

PACKAGE DIMENSIONS (w x d x h)

CFR1620 - 31.1" x 20.9" x 7.5"
79 x 53 x 19.1 cm
CFR1615 - 27.2" x 20.9" x 7.5"
69 x 53 x 19 cm

PACKAGE WEIGHT

15 lbs / 6.8 kg

MASTER PACK QUANTITY

1

FINISH

Black - CFR1620-B1
Black - CFR1615-B1

UPC

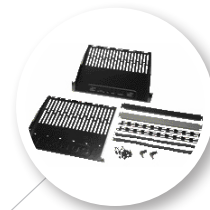
CFR1620 - 793795525505
CFR1615 - 793795525499

AVAILABILITY

November 2012



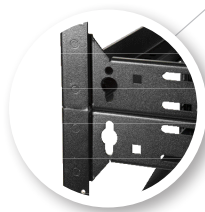
Modular, stackable structures can be coupled into five different height combinations, 40U, 35U, 30U, 20U, 15U



Entire structure, complete with screws, removable shelves and blanking panels, ships in one UPS-shippable box



Modular racks are SANUS Eco compatible



Versatile racks can be mounted directly to wall studs for a more permanent organization solution in any room



Self-aligning rack requires only four bolts for quick, easy assembly in less than 15 minutes

NEW SANUS Racks Accessories

MODEL CFA16SM

**MODEL
CFA16SM**

On-Wall Swing-Out Accessory

WEIGHT CAPACITY

200 lbs. / 90.7 kg

PRODUCT DIMENSIONS

(w x d x h)

20.4" x 3.4" x 1.5"

51.8 x 8.6 x 3.8 cm

PACKAGE DIMENSIONS

(w x d x h)

21.2" x 3.8" x 3.5"

53.8 x 9.7 x 8.9 cm

PACKAGE WEIGHT

2 lbs / 0.9 kg

MASTER PACK QUANTITY

8

FINISH

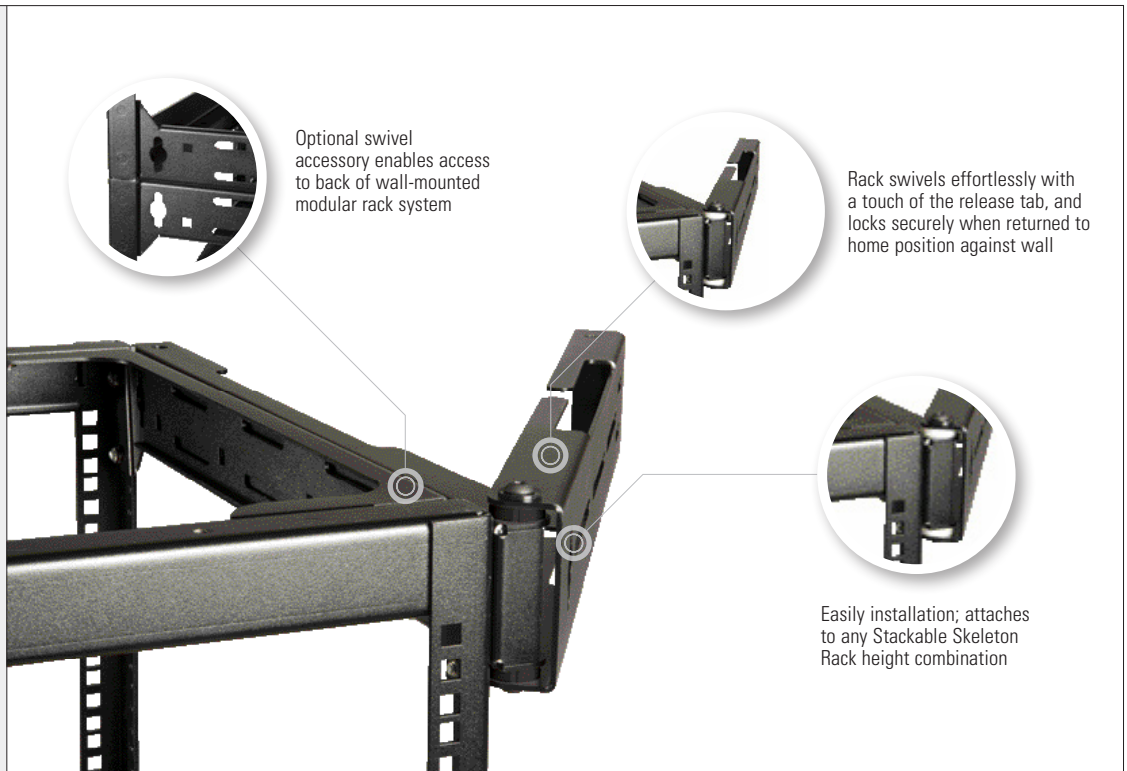
Black - CFA16SM-B1

UPC

793795525604

AVAILABILITY

September 2012



Optional swivel accessory enables access to back of wall-mounted modular rack system

Rack swivels effortlessly with a touch of the release tab, and locks securely when returned to home position against wall

Easily installation; attaches to any Stackable Skeleton Rack height combination