

CAUTION:
Use only DigiTenna
supplied power
supply

Antenna Preamplifiers

MADE IN U.S.A.
INSTRUCTIONS

Models DT-RAMP20-2, DT-FAMP20-1, DT-FAMP20-2
DT-DFAMP20-1, DT-DFAMP20-2, DT-XFAMP20-1, DT-XFAMP20-2

**WARNING: TO PREVENT FIRE OR SHOCK HAZARD,
DO NOT EXPOSE POWER SUPPLY SECTION OF THIS
APPLIANCE TO RAIN OR MOISTURE.**

PREAMPLIFIER INSTALLATION:

STEP 1. Mount the preamplifier on the mast within easy reach. (for stand alone mast mounted amp only)

STEP 2. The 75 ohm coaxial download should be secured to the mast with weatherproof tape (electrical tape) every three feet.

STEP 3. Attach “F” connector on download cable from preamp to power injector jack marked “To Amp”.
See figure 3.

STEP 4. Attach “F” connector on cable from DTV, Digital Converter box, Distribution Amplifier, or splitter system to jack on Power Injector marked TV.
See figure 3.

STEP 5. Attach the supplied power cable from the AC adapter to jack marked (DC in) on the power injector.

STEP 6. Plug in the AC adapter (Wall transformer) into a “non-switched” 120V AC wall outlet.

Fig. 1

MAST MOUNTED AMP

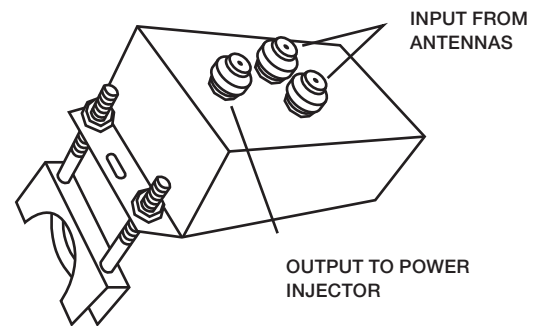
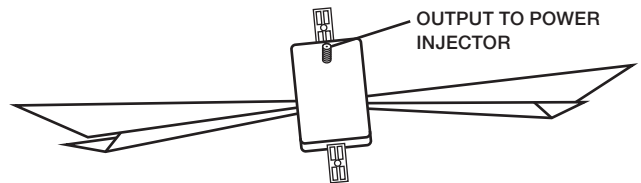


Fig. 2

SINGLE INPUT BUILT-IN MODEL



DUAL INPUT BUILT-IN MODEL

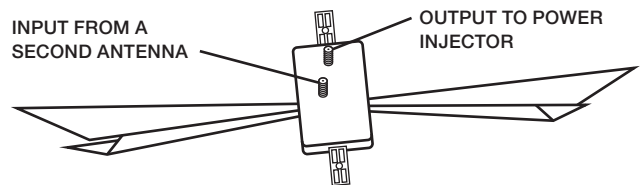
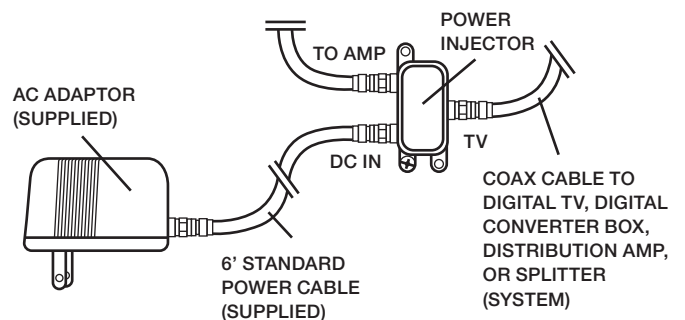


Fig. 3

**DOWNLOAD COAX CABLE FROM
PREAMP ON AMPLIFIED ANTENNA**



U.S. Patent, 7,626,557 B2, and 7,911,406 B2

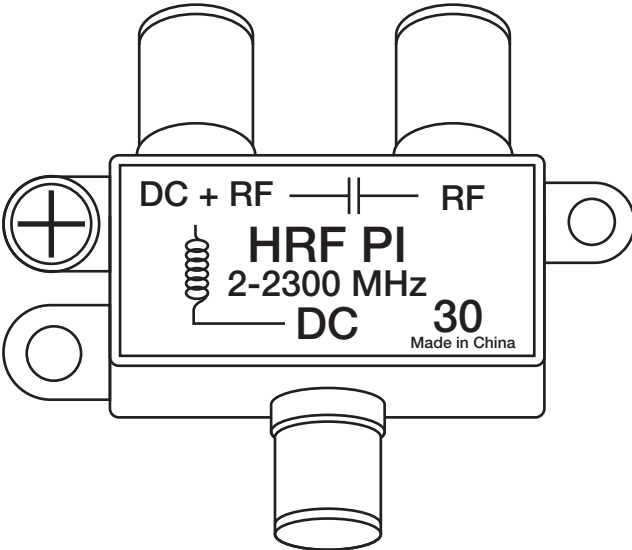
DigiTenna

855-308-7389 or 920-564-6248

www.digitenna.com

Supplement to Instructions for DigiTenna Preamplifiers

If the below power inserter is packed with your amplifier, use these instructions to connect it.



1. Connection labeled RF goes to the TV
2. Connection labeled DC goes to the Power Supply
3. Connection labeled DC+RF goes to the antenna