



Component Video & Stereo Audio CAT5 Extender

ITEM NO.: ELE7014

The Component Video & Stereo Audio CAT5 Extender is designed for component video signal (Y, Pb, Pr) and stereo audio to be transmitted via cost effective one CAT5 UTP cable. Used in pairs, the Component Video/Stereo Audio BALUN supports 480i/480p/720p/1080i/1080p video formats for hi-definition (HDTV) video application. Application for control rooms, multimedia rooms, communications centers, convention facilities, classroom video corporate projection system. Wall Plate type or metal box type are available for different combination and installation.

ELE7014 Wall Plate Component Video & Stereo Audio CAT5 Extender

- Identical to ELE7013, but wall plate type.
- Wall Plate outer dimension: 70 x 115.
- **Compatible with metal box type EL**



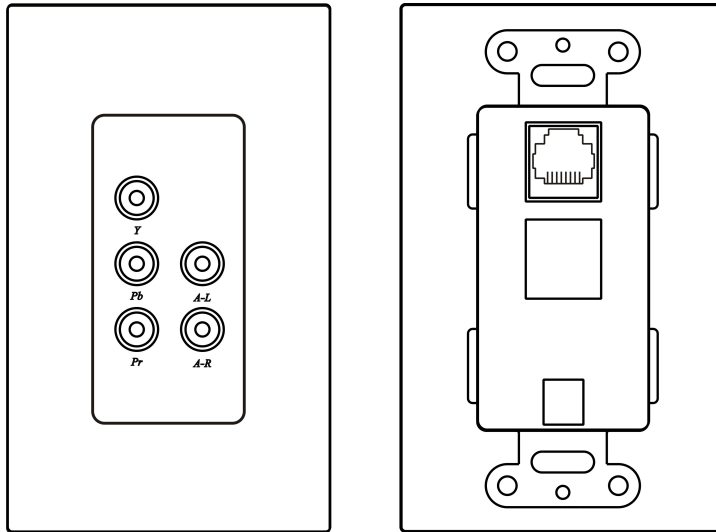
Installation:

ELE7014



Panel View:

ELE7014



Front View

Rear View

Cable:

Video Link cable using high quality CAT5E UTP/STP or CAT6 UTP cable.

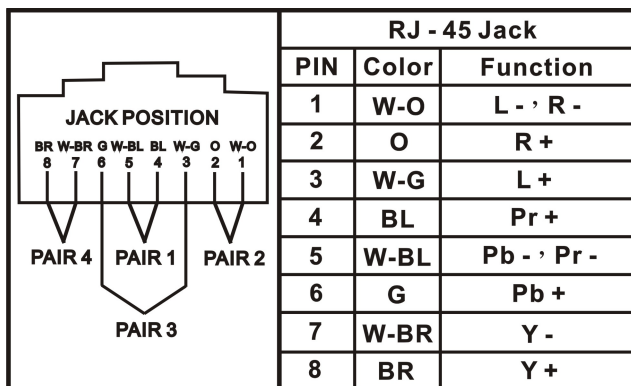
Please note STP cable could enhance noise rejection, but also less transmission range and picture sharpness quality.

Caution:

1. This device not Ethernet product, do not connect any Ethernet.
2. The cabling must away from any equipment with electromagnetic wave, i.e.: microwave, radio equipment, high voltage lines.

RJ-45 Jack Pin Define

ELE7014



Specification:

ITEM NO.	ELE7014	
Video Input (RCA female) (Y Pb Pr)	Y (75Ω · 1Vp-p) · Pb (75Ω · 0.7Vp-p) · Pr (75Ω · 0.7Vp-p)	
Resolution	1080p (Max)	
Audio Connector	RCA : White (L) · Red (R)	
Audio Input/Output	L · R (20KΩ · 3Vp-p) Max	
Cable Connector	RJ45	
Bandwidth	Video: DC to 5Mhz	
Distance	480p (300M) · 1080p (100M)	
Cable	Twisted Pair CAT5,CAT5e (AWG24)	
Dimensions W x H x D mm	70.3 × 46.3 × 115 (mm)	86 × 55.3 × 86 (mm)
Weight g	106 (g)	

RoHS   