



*Bringing Colors To Life!*

## HDMI Extender Over Single CAT5e/6 Cable Up To 40M

FULL  
HD

1080p

1080i

3D

HDMI 1.3

EDID



# ELE8024

## USER MANUAL

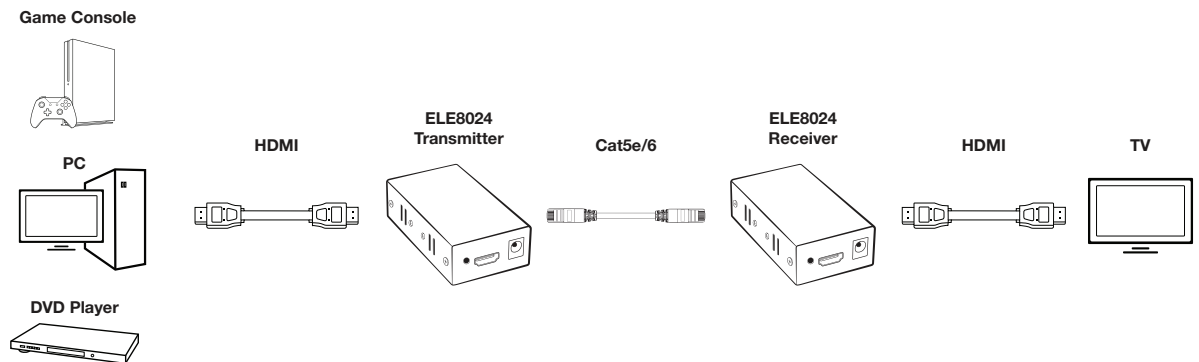
## Introduction

The ELE8024 HDMI Extender transmits over one Cat5e/6 cable to extend your HDTV display up to 40m at 1080p. Reduce the costs of extending HDMI signals over long distances. This provides an easy and affordable cabling solution for integrating home theater components.

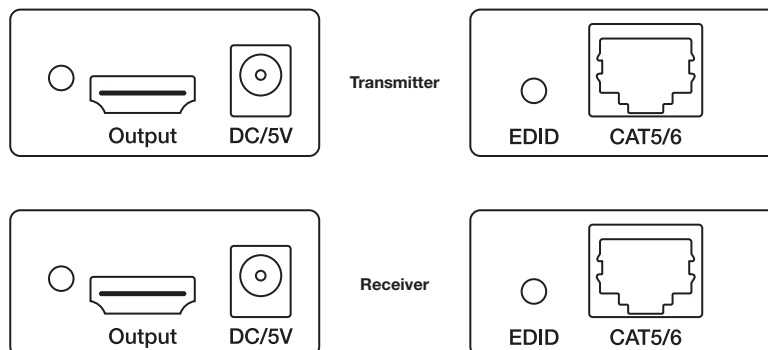
## Features

1. Extends HDMI signal over one Cat5e/6 cable. (Terminated T568-B Format)
2. HDMI 1.3 compliant. 3D capable.
3. Transmission range: Up to 40m at 1080p 3D with Cat6 cable.
4. Built in ESD protection to prevent static damage.
5. Transmitter unit has built in EDID auto backup function.
6. IR transmission supported.
7. HDCP compliant.

## Installation View



## Panel View



## Cable

Use High Quality Cat5e UTP or Cat6 UTP Cable (Terminated T568-B Format). Cat6 Is Recommended For Distances Over 30m. Distance May Vary Based On Different HDMI Equipment & Cable Quality.

## External EDID Setup

1. Press EDID button & unplug HDMI cable.
2. Connect Tx to TV using HDMI cable for auto backup.
3. Reconnect power to complete TV EDID backup, Green LED will keep flashing.
4. Reset power on Tx to activate new EDID.

## LED Functionality

Red	On	Power On
Green	On	Stable HDMI Signal
Green	Flash	TV EDID Backup Complete

## Transmission Distance

Resolution / Cable	Distance
1. 1080p / CAT5e	35M
2. 1080p / CAT6	40M
3. 1080i, 720p / CAT5e	55M
4. 1080i, 720p / CAT6	65M

## RJ45

Video Link (TIA/EIA-568-B)

1. Orange-white	TMDS DATA2 +
2. Orange	TMDS DATA2 -
3. Green-white	TMDS CLOCK + / HDMI 5V
4. Blue	TMDS DATA1 +
5. Blue-white	TMDS DATA1 -
6. Green	TMDS CLOCK - / HDMI 0V
7. Brown-white	TMDS DATA0 +
8. Brown	TMDS DATA0 -

## Specification

Video Bandwidth	2.25 GHz (HDMI 1.3)
Resolution	1080p, 1080i, 720p, 576p, 480p, 576i, 480i
Transmission Distance	65m @ 1080i / 40m @ 1080p
Input TMD5 Signal	0.5-1.0 Volts Peak to Peak
Input DDC Signal	5 Volts Peak to Peak
HDMI Connectors	19-pin HDMI Type Female Connector
Cat5e/6 Connector	RJ-45 Shielded with 2 Indicator LEDs
Power Supply	DC 5V 2AMP Regulated (External x2)
Power Consumption	5watts (Maximum)
Temperature	Operation: 23 to 95°F, Humidity: up to 90%
Dimensions	3.23" x 1.81" x 0.94" (Transmitter); 3.23" x 1.81" x 0.94" (Receiver)



### Caution

The wiring must stay away from any equipment with electromagnetic waves (mobile phone, microwave, radio equipment, fluorescent lamp, high voltage power lines).