

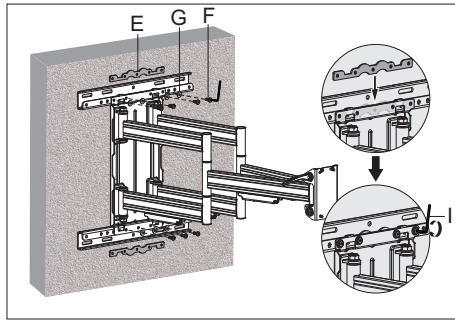
## ROY7707B

### USER MANUAL

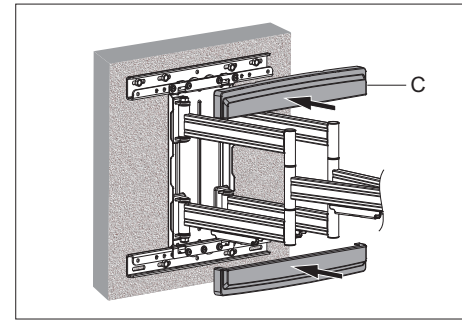
## INSTALLATION

### Step 2: Install back plate covers

1. Position and attach arm with mounting hardware

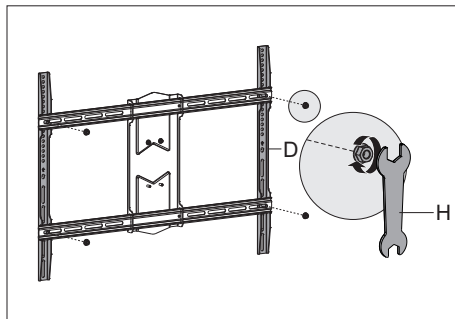


2. Fasten the covers to the mount

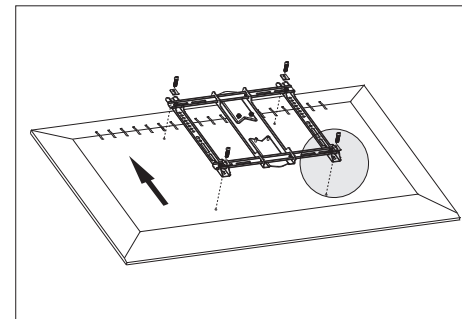


### Step 3: Mount the VESA bracket to the TV

1. Finish assembling the TV mounting bracket

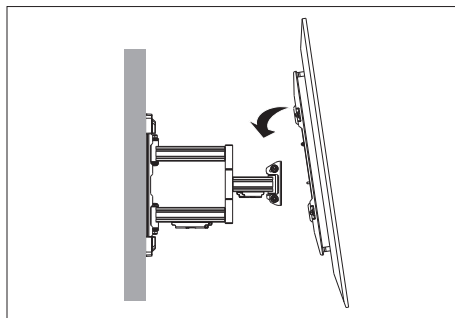


2. Attach bracket to the TV using spacers if necessary

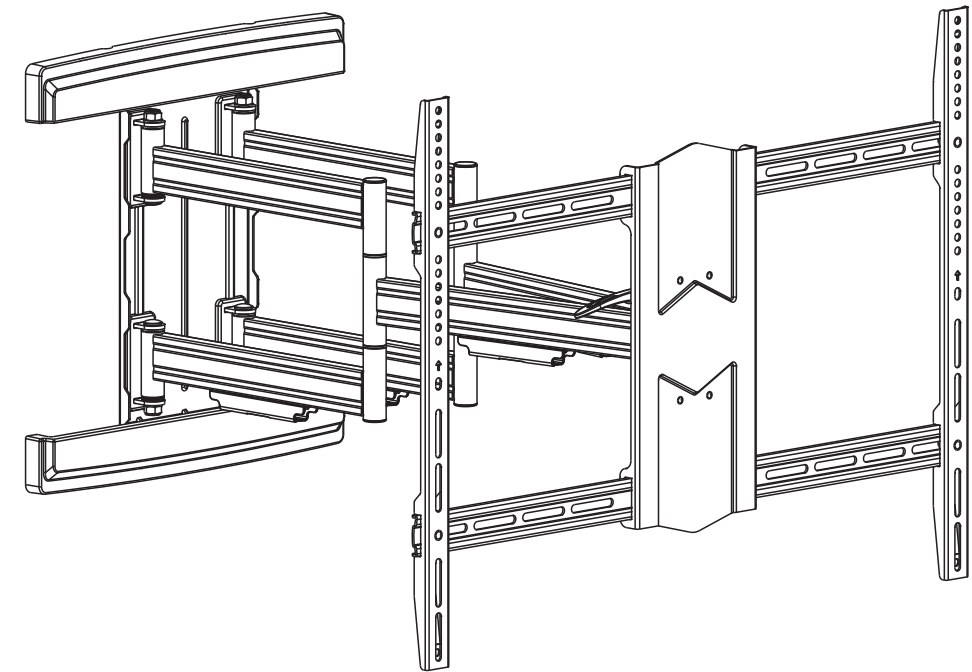
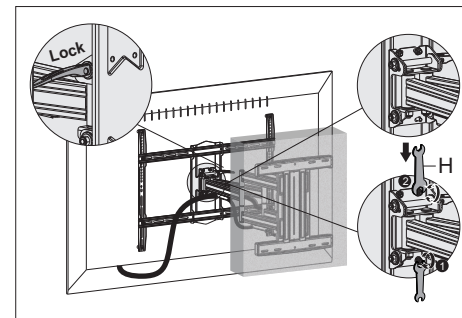


### Step 4: Secure TV

1. Connect TV to mounting arm



2. Tighten hardware and lock in place



# FULL-MOTION WALL MOUNT

Flat Panel TV's

## 43"-100"

#### LIMITED LIFETIME WARRANTY

This Royal product carries a LIMITED LIFETIME WARRANTY on both parts and labor. Should your mount fail to operate properly at any time during the warranty period, Royal will repair or replace (at our option) the item barring any indication of misuse or abuse. Freight to a Royal authorized facility is paid by the customer. Return freight is paid by Royal. Warranty registration occurred automatically at the time your order was placed. There is no need to complete or mail in additional paperwork. If you have any questions about the operation or installation of this product, please call our distributor, Skywalker AV Supply at (800) 844-9555 or (636) 272-8025. Skywalker AV Supply hours of operation are from 8am to 5pm CST.

#### SUPPORT

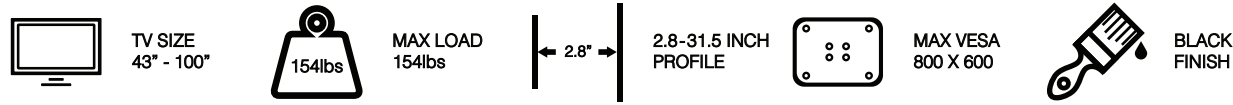
800.844.9555  
techsupport@skywalker.com  
skywalker.com

© 2018 Royal Mounts  
All Rights Reserved

## INTRODUCTION

Congratulations!

The ROY7707B Dual Stud Full-Motion Wall Mount is a great solution for mounting TV's ranging from 43 inches up to 100 inches. This mount can support up to 154 pounds. It has a profile that ranges between 2.8 and 31.5 inches from the wall.



## WHAT'S IN THE BOX

### Mount Pieces

A (x1)		B (x1)		C (x2)		D (x2)	
E (x2)		F (x7)		G (x7)		H (x1)	
H (x1)		H (x1)					

### TV Mounting Hardware

M-A (x4)	M-B (x4)	M-C (x4)	M-D (x4)	M-E (x4)	M-F (x4)	M-G (x8)	M-H (x8)
M5x14	M6x14	M6x30	M8x30	M8x50			

### Wall Mounting Hardware

W-A (x6)	W-B (x6)	W-C (x6)

#### Tools Needed

- Level
- Pencil
- Drill
- Screwdriver (Phillips)
- Stud Finder \*

#### VESA Patterns

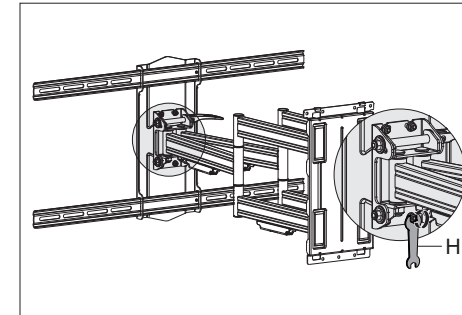
- 300x200
- 400x200
- 400x400
- 800x400
- 300x300
- 400x300
- 600x400
- 800x600

## INSTALLATION

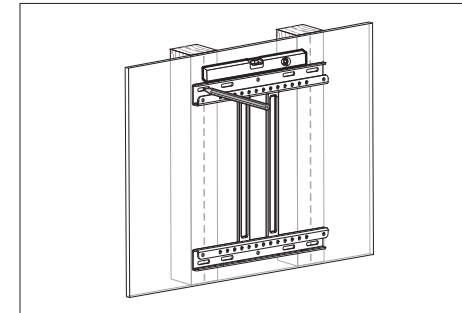
### Step 1: Mount the back plate to the wall

#### For Drywall

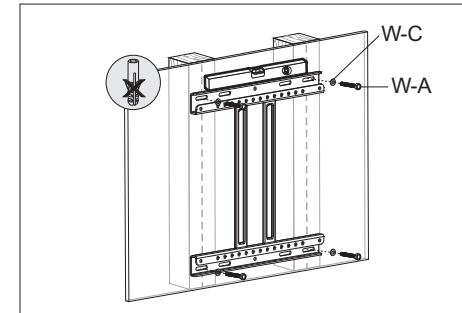
1. Remove the TV mounting plate



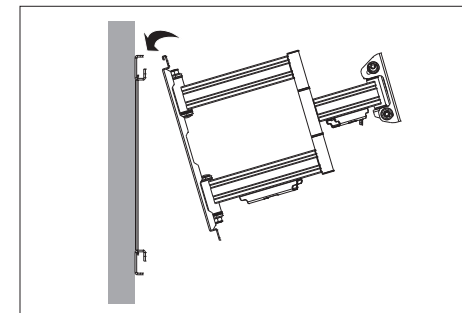
2. Level, mark & drill 1/4" holes for each screw



3. Mount back plate to wall hitting 2 studs

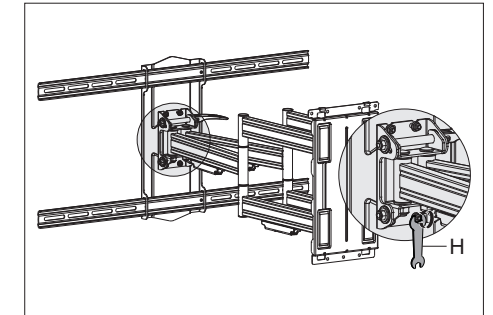


4. Attach the mount arm to the back plate

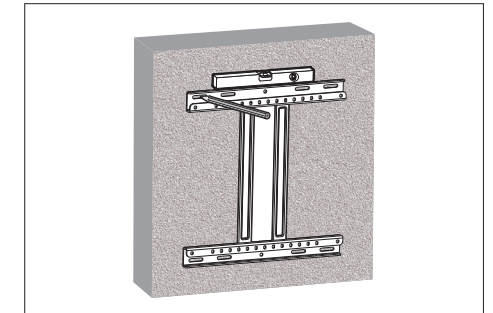


#### For Concrete

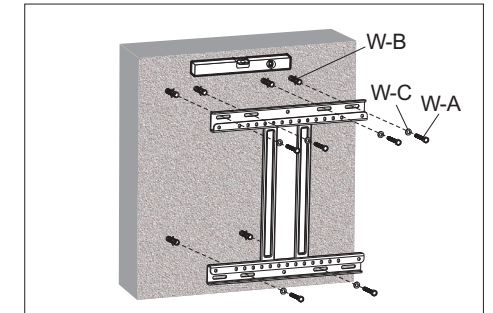
1. Remove the TV mounting plate



2. Level, mark & drill 1/2" holes for each anchor/screw



3. Mount the back plate to the wall



4. Attach the mount arm to the back plate

