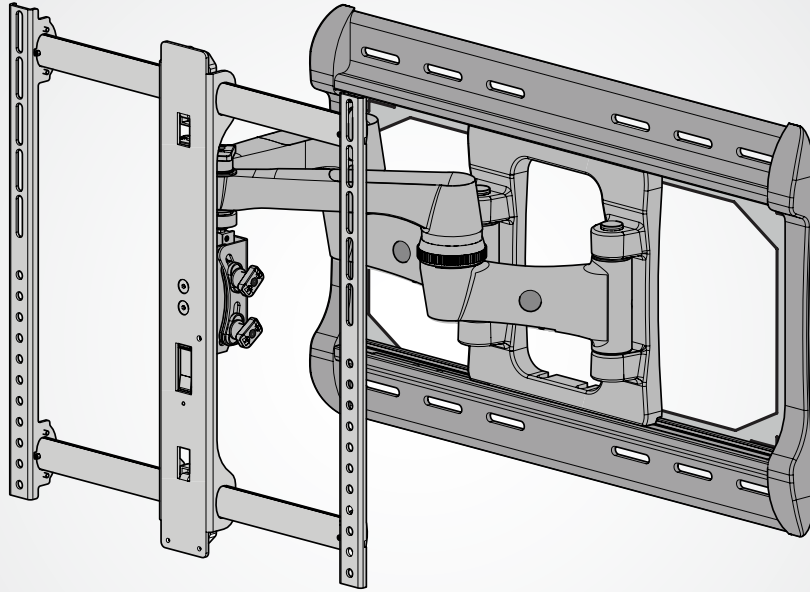


Model: AFMW-1

# INSTRUCTION MANUAL



# STORM™ OUTDOOR TELEVISION MOUNT

Articulating Full Motion Wall Mount



**SÉURA**®

[www.seura.com](http://www.seura.com)

Thank you for selecting Séura's Outdoor Articulating Wall Mount for Storm.

This product has been inspected and packaged carefully before shipment.  
Please read this guide before beginning installation.



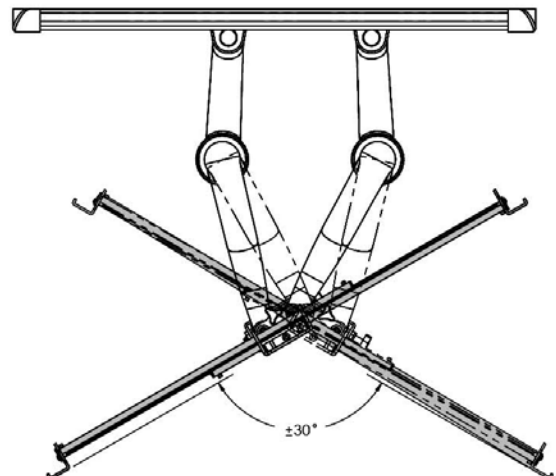
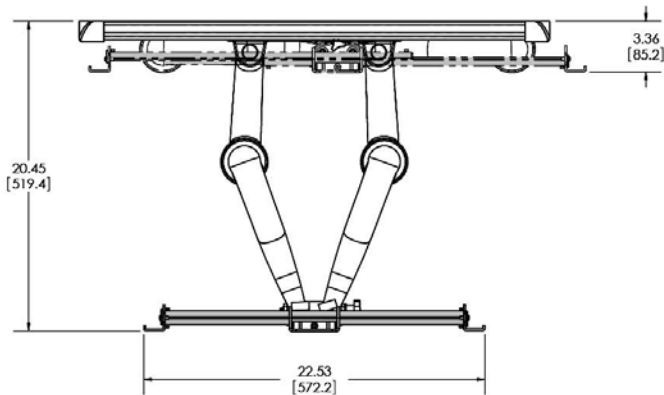
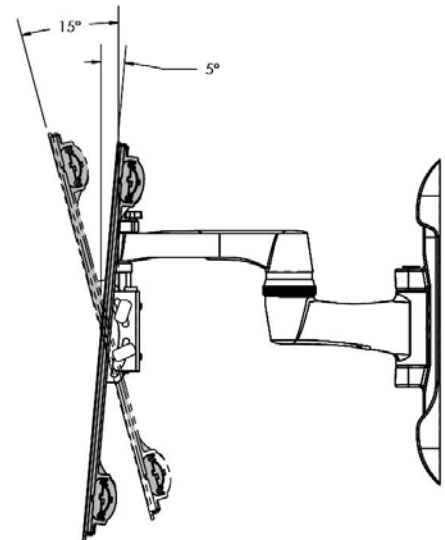
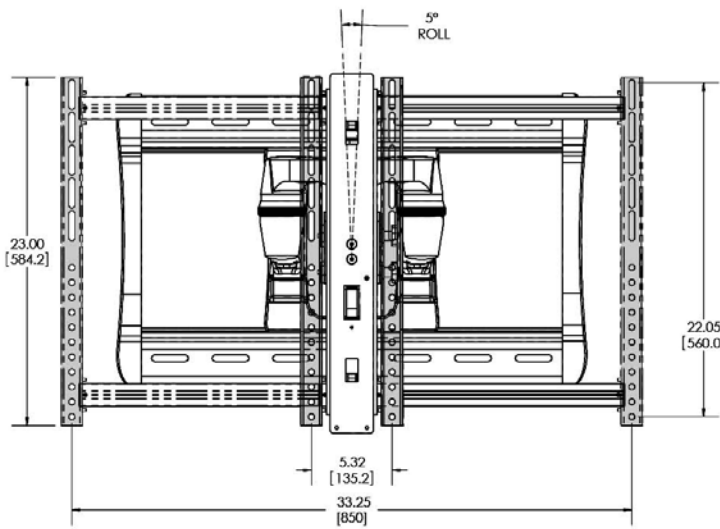
### WARNING

To prevent injury, this apparatus must be securely attached to the wall in accordance with the installation instructions.

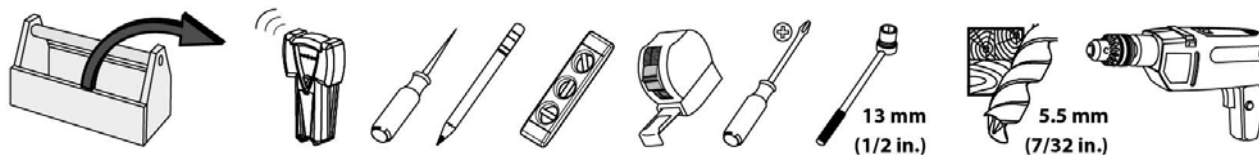
## 1-1 Specifications

- ✘ Weight capacity-**DO NOT EXCEED**: 79 kg (175 lb.) includes TV and any accessories
- ✘ Swivel:  $\pm 30^\circ$
- ✘ Tilt:  $+5^\circ$  to  $-15^\circ$
- ✘ Level:  $\pm 5^\circ$
- ✘ Weather-resistant stainless steel hardware is provided to accommodate outdoor installations.
- ✘ **⚠ CAUTION:** Avoid potential personal injuries and property damage!
- ✘ Do not use this product for any purpose not explicitly specified by manufacturer.
- ✘ The wall must be capable of supporting five times the weight of the monitor and mount combined.
- ✘ This product is designed for use in wood frame walls only!
- ✘ If you do not understand these instructions, or have doubts about the safety of the installation, assembly or use of this product, contact Customer Service or call a qualified contractor.
- ✘ Manufacturer is not responsible for damage or injury caused by incorrect assembly or use.

## 1-2 Technical Specifications



# 1-3 Required Tools



# 1-4 Supplied Parts and Hardware

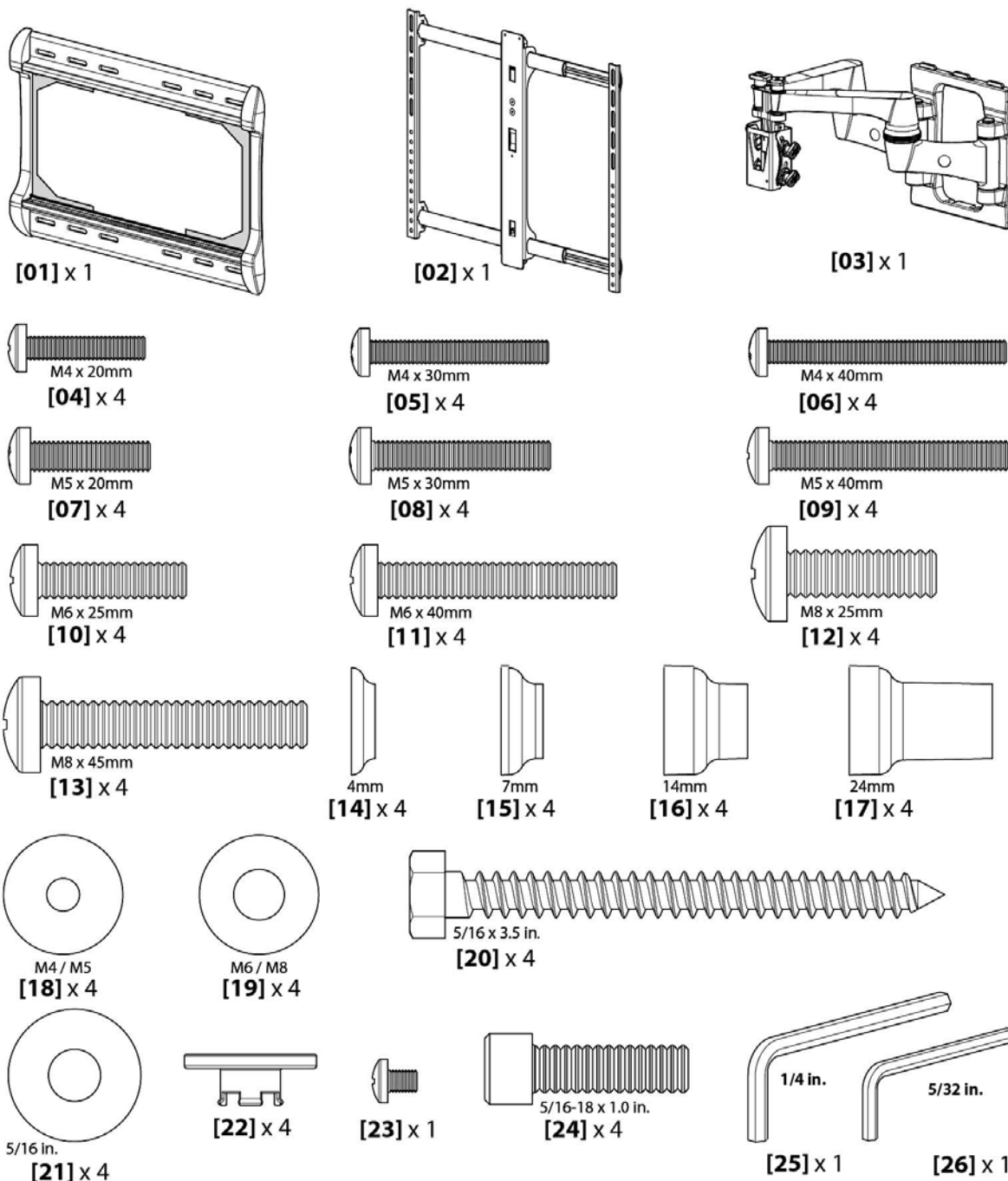


## WARNING

This product contains small parts that could be a choking hazard.

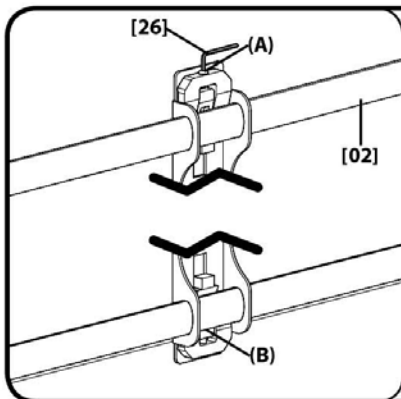
Before starting assembly, verify all parts are included and undamaged. If any parts are missing or damaged, contact Séura. Never use damaged parts.

NOTE: M4, M5, M6, or M8 describes the diameter, mm describes the length of screws that are labeled M# X ##mm. Not all hardware included will be used.

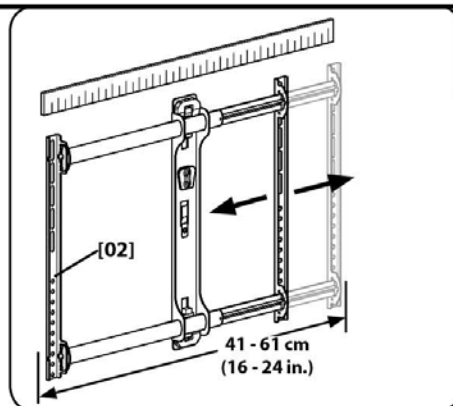
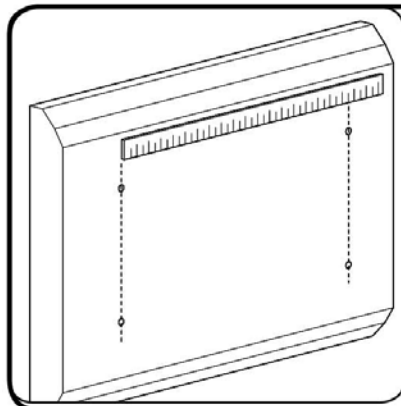


# 2 Attach Brackets to TV

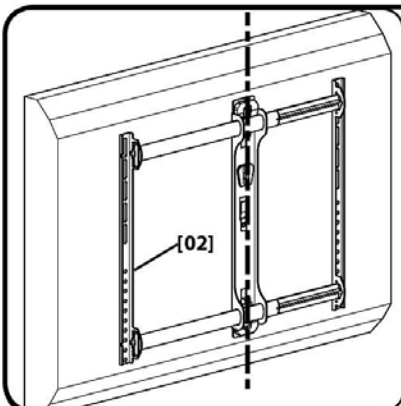
## 2-1 Determine TV Hole Pattern



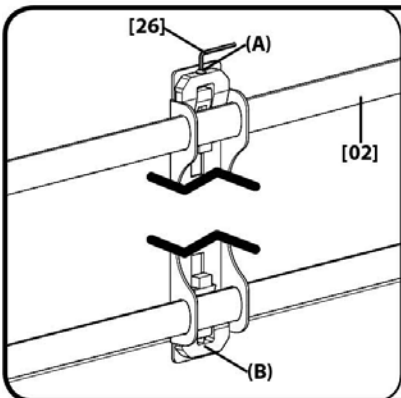
Loosen the upper **[A]** and lower **[B]** fasteners.



Adjust the monitor plate **[02]** to fit the hole pattern of your TV.

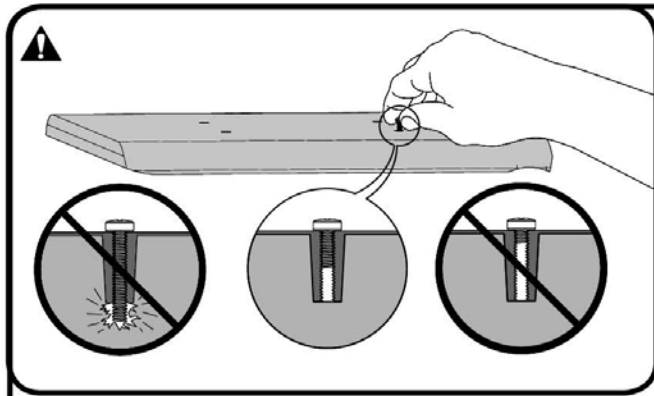


Be sure that the center column is aligned with the center of your TV.



Tighten the upper **(A)** and lower **(B)** fasteners. Do not overtighten.

## 2-2 Select the Hardware Diameter and Length

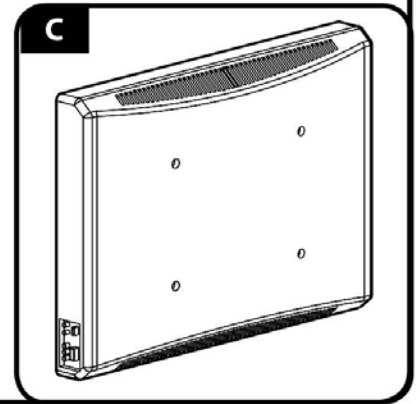
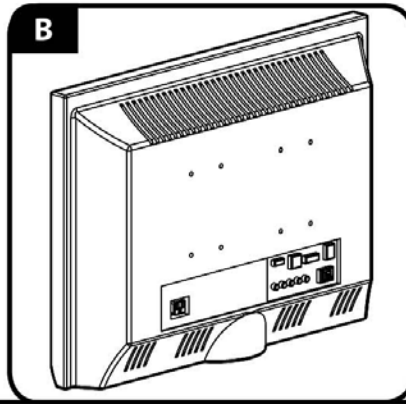
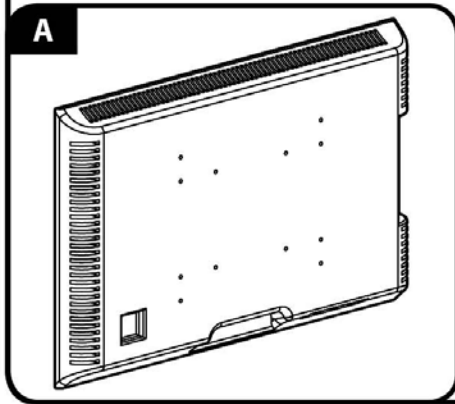


Your TV type will help you determine which hardware configuration to use. Match your type of TV to the suggested hardware configuration on the next page.

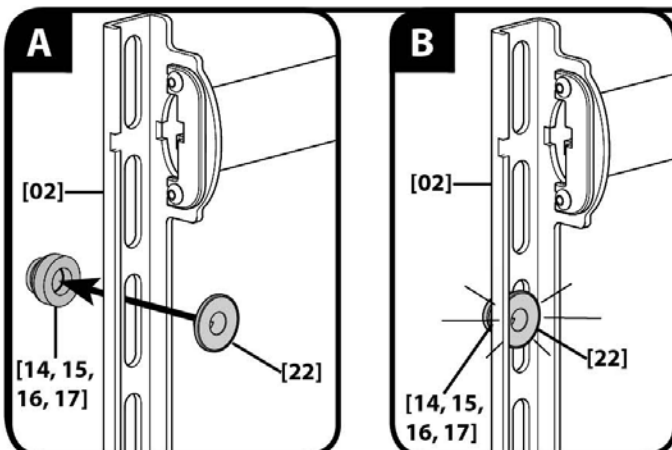
- A.** Installation option using 4 or 7mm spacers (TVs with flat backs)
- B.** Installation option using 14mm spacers (TVs with irregular backs)
- C.** Installation option using 24mm spacers (For TVs with irregular backs that require more length than the 14mm spacer provides.)

Hand thread screws into the threaded inserts on the back of your TV to determine the correct screw diameter (M4, M5, M6, or M8).

**⚠ CAUTION:** Avoid potential personal injuries and property damage! Verify that there are adequate threads to secure the brackets to the monitor. If you encounter resistance, stop immediately and contact customer service. Use the shortest screw and spacer combination to accommodate your needs. Using hardware that is too long may damage your TV.



## 2-3 Attach Spacers to Brackets



Attach shoulder washers [22] and spacers to the brackets [02].

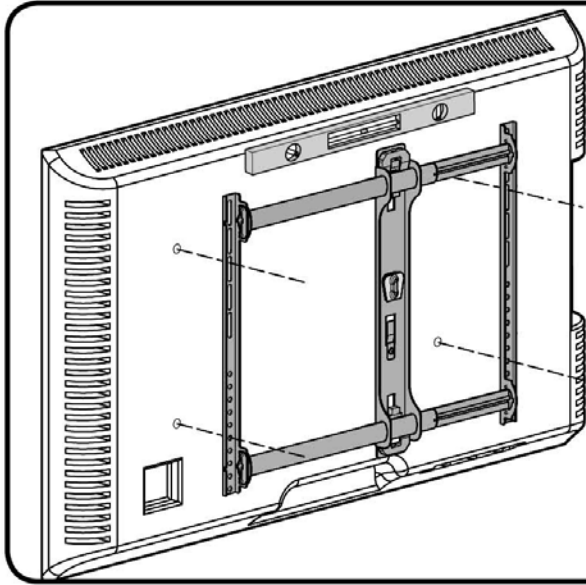
1. Push the shoulder washer [22] through the appropriate openings of the brackets [02].
2. Snap shoulder washer [22] into the spacer you selected in step 1-2.

If your TV has a flat back, use either the 4mm or 7mm spacer [14 or 15].

If your TV has a curved or obstructed back, or if you need more room for cables, recesses, or protrusions, use either the 14mm or 24mm spacer [16, 17].

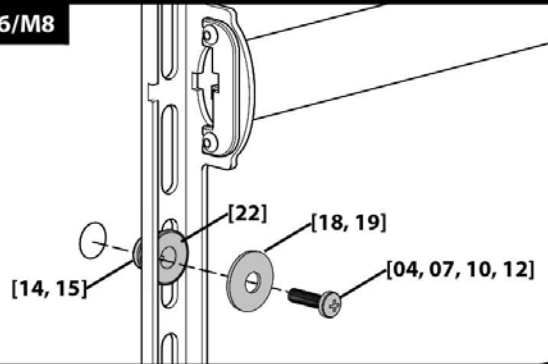


## 2-4 Attaching Brackets to a TV with a Flat Back

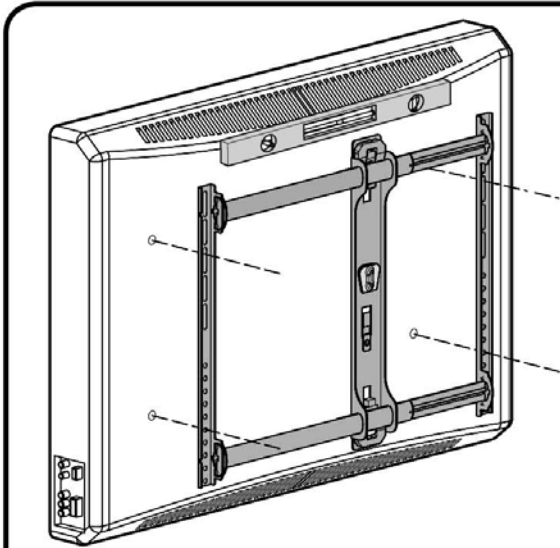


In step 1-2, If you selected the:  
 M4 x 20mm [04] or M5 x 20mm [07] bolt, use the M4/M5 washer [18] and spacer [14].  
 M6 x 25mm bolt [10] use the M6/M8 washer [19] and spacer [15].  
 M8 x 25mm diameter bolt [12] use the M6/M8 washer [19] and spacer [14].  
 Confirm that the brackets are level on the back of the TV.  
 If you require additional space for cables, recesses, or protrusions, choose one of the configurations below.

### M4/M5/M6/M8

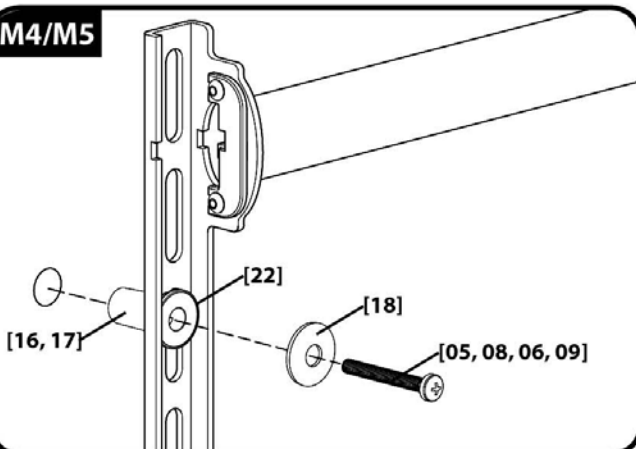


## 2-5 Attaching Brackets to a TV with an Irregular Back

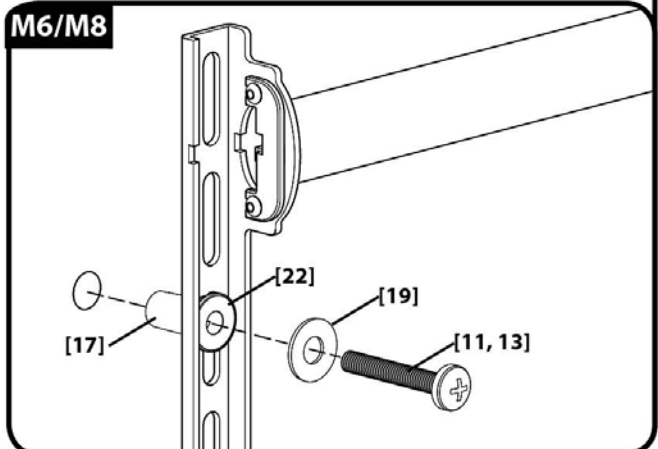


In step 1-2, If you selected the:  
 M4 x 30mm [05] or M5 x 30mm [08] bolt, use the M4/M5 washer [18] and spacer [16].  
 M4 x 40mm [06] or M5 x 40mm [09] bolt, use the M4/M5 washer [18] and spacer [17].  
 M6 x 40mm [11] or M8 x 45mm bolt [13], use the M6/M8 washer [19] and spacer [17].  
 Confirm that the brackets are level on the back of the TV.  
 Standard configurations are shown. For special applications, or if you are uncertain about your hardware selection, contact Customer Service.

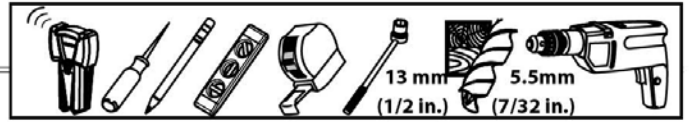
### M4/M5



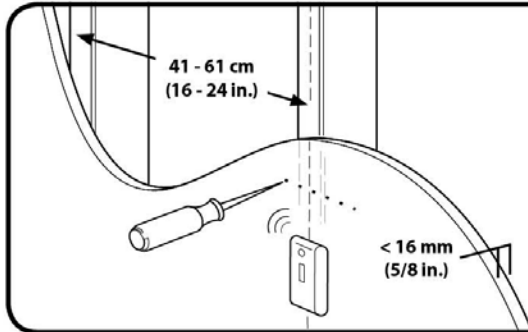
### M6/M8



# 3 Wall Mounting



## 3-1 Locate Studs

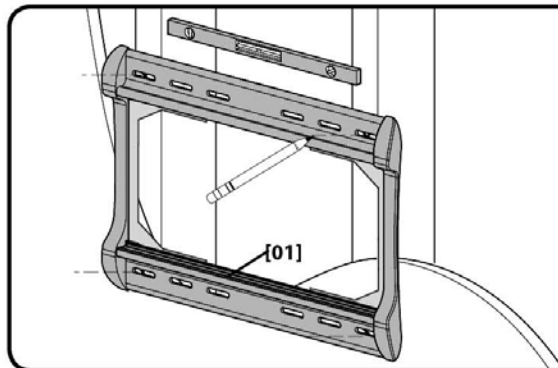


Verify the center of the stud(s) using an awl, a thin nail, or an edge to edge stud finder.

**CAUTION:** Avoid potential personal injuries and property damage!

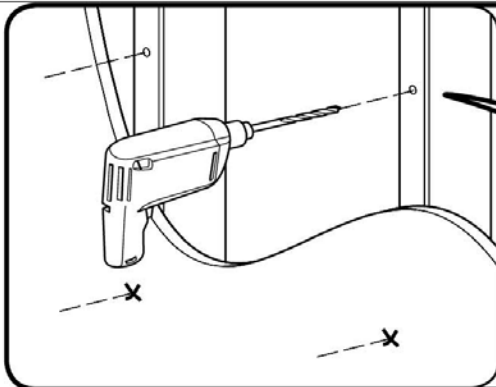
- ✘ Any material covering the wall must not exceed 16 mm (5/8 in.).
- ✘ Minimum wood stud size: common 2 x 4 in (nominal 1.5 x 3.5 in.).

## 3-2 Mark the Wall

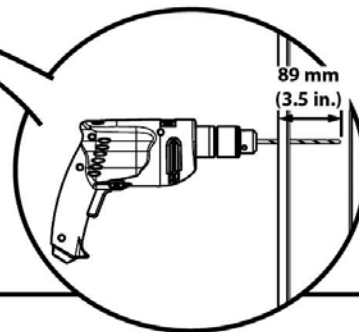


Level the wall plate [01] and mark the hole locations.

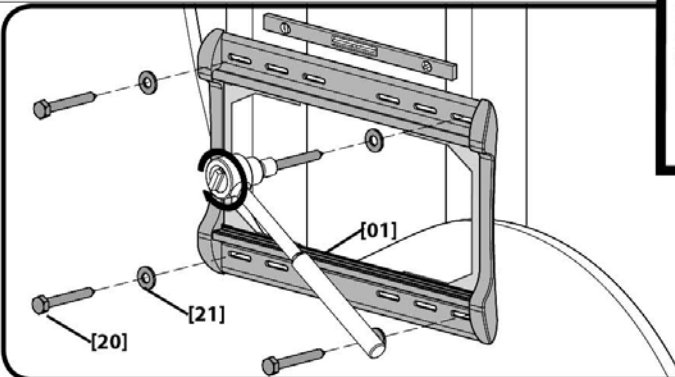
## 3-3 Drill Pilot Holes



**CAUTION:** Avoid potential injuries or property damage! Pilot holes **MUST** be drilled to a depth of 89 mm (3.5 in.), using a 5.5 mm (7/32 in.) diameter drill bit.



## 3-4 Tighten Lag Bolts

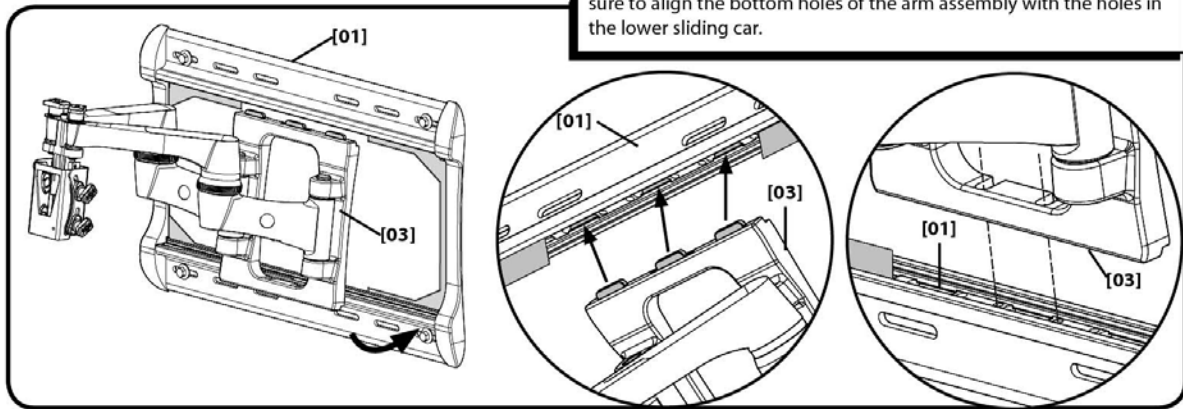


**CAUTION:** Avoid potential injuries or property damage! Improper use could reduce the holding power of the lag bolt. To avoid potential injuries or property damage

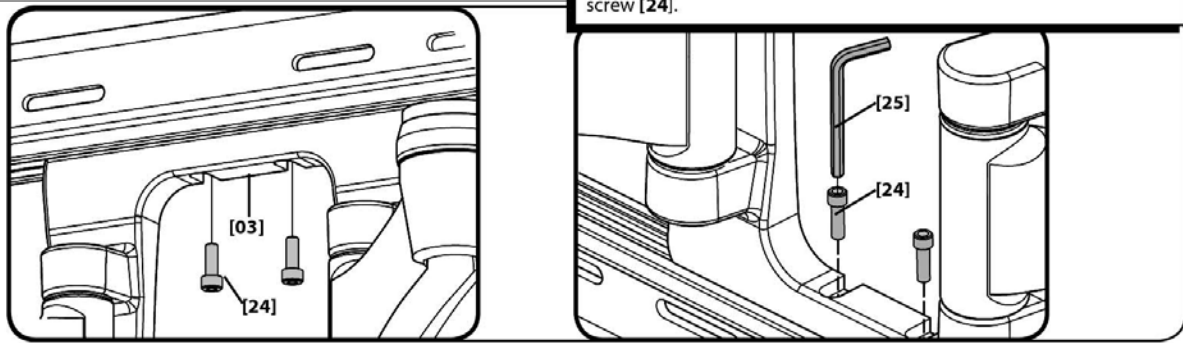
- ✘ **DO NOT** over-tighten the lag bolts [20].
- ✘ Tighten the lag bolts [20] only until the washers [21] are pulled firmly against the wall plate [01].

# 4 Attach Arm to Wall Plate

## 4-1 Align the Holes

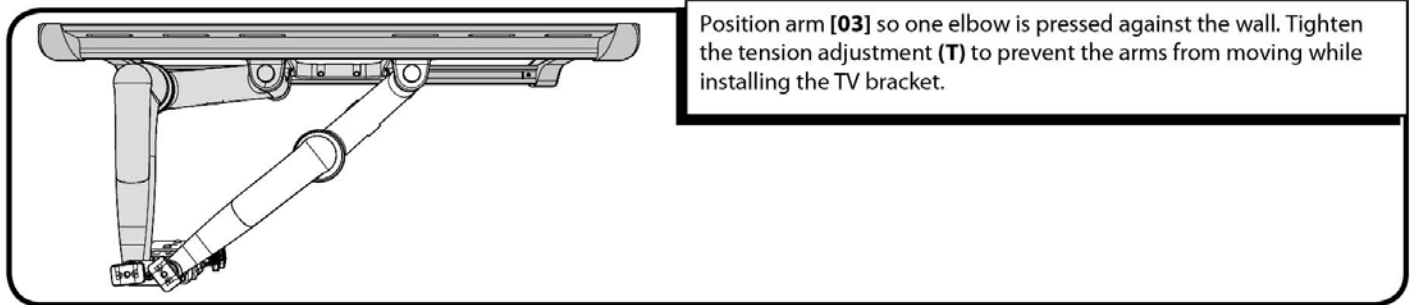


## 4-2 Secure the Arm

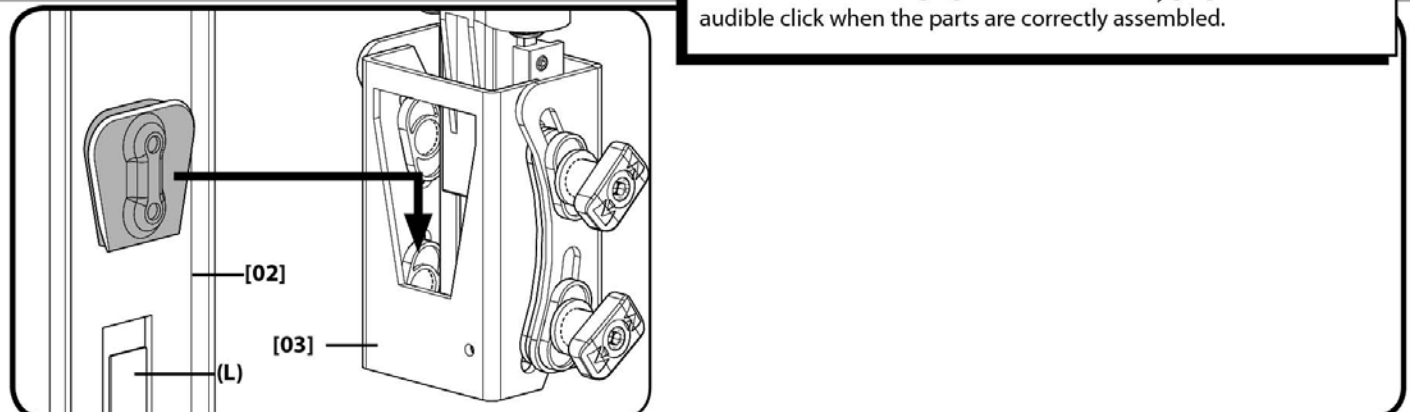


# 5 Attach Storm TV to the Arm

## 5-1 Position the Arm

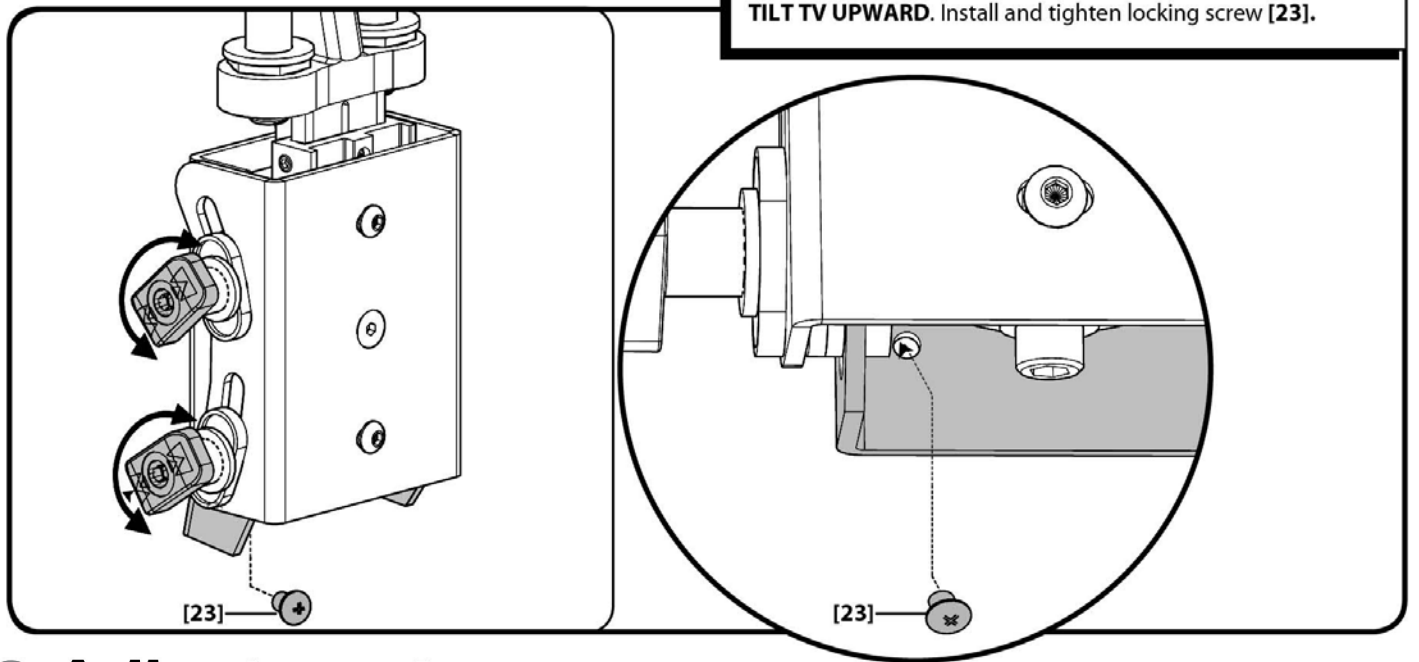


## 5-2 Attach the TV to the Arm



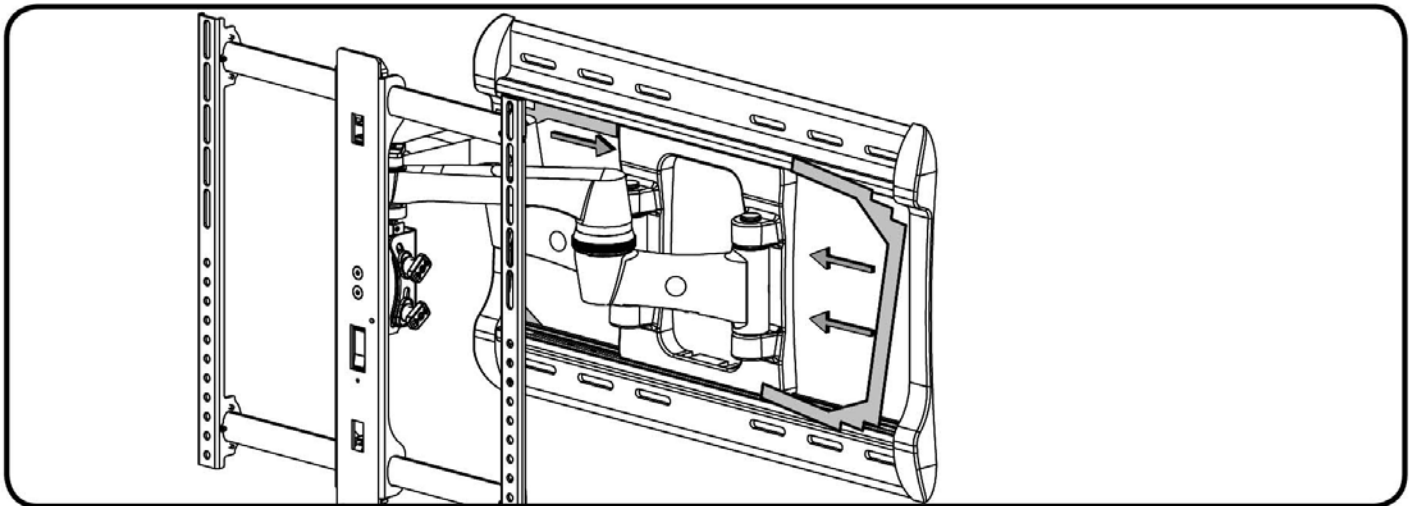


### 5-3 Secure the Arm

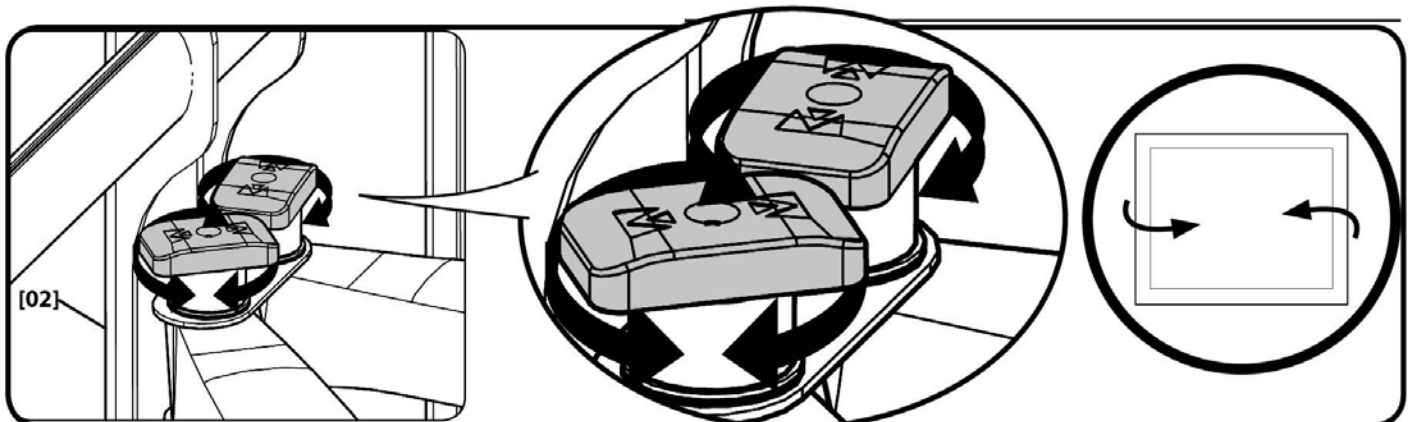


## 6 Adjustments

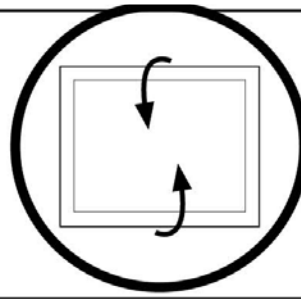
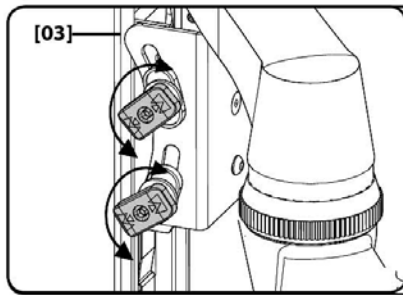
### 6-1 Remove Wall Plate Inserts



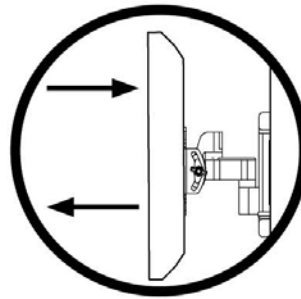
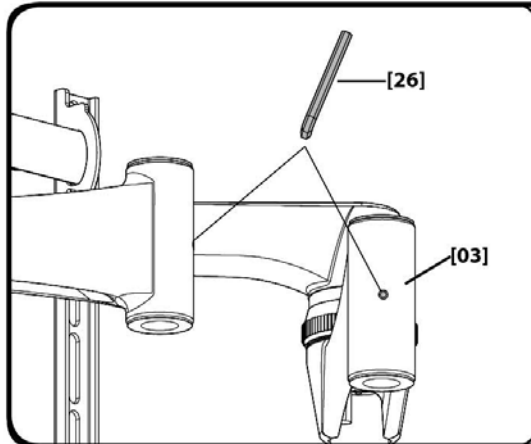
### 6-2 Adjust Left/Right Swivel Tension



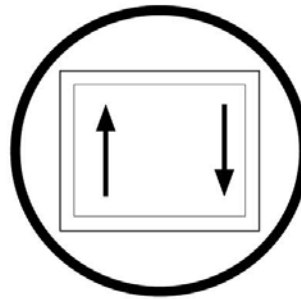
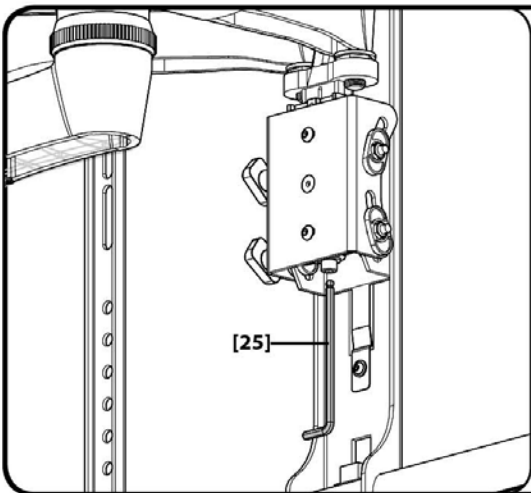
### 6-3 Adjust Up/Down Tilt Tension



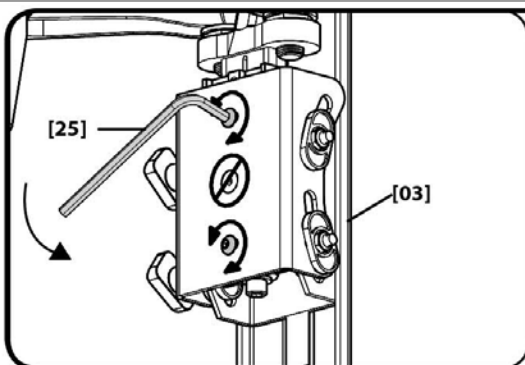
### 6-4 Adjust Arm Tension



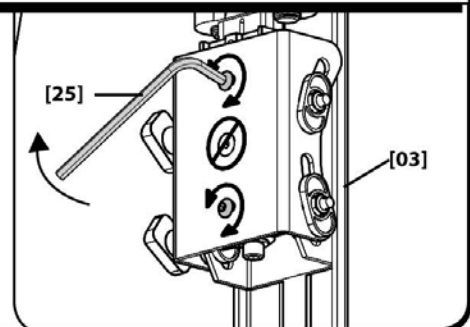
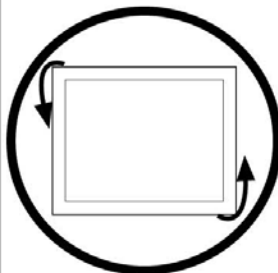
### 6-5 Adjust Height



### 6-2 Adjust Left/Right Swivel Tension

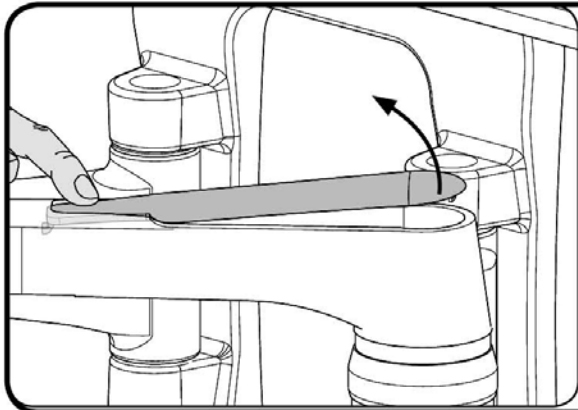


Loosen screws. Adjust level. Re-tighten screws



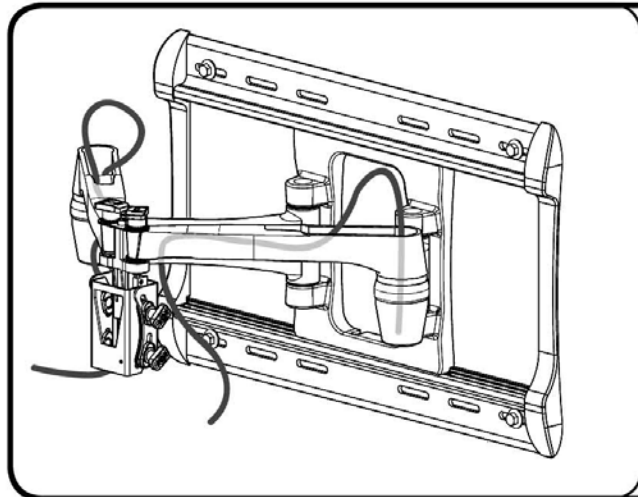
# 7 Cable Management

## 7-1 Remove Cable Covers

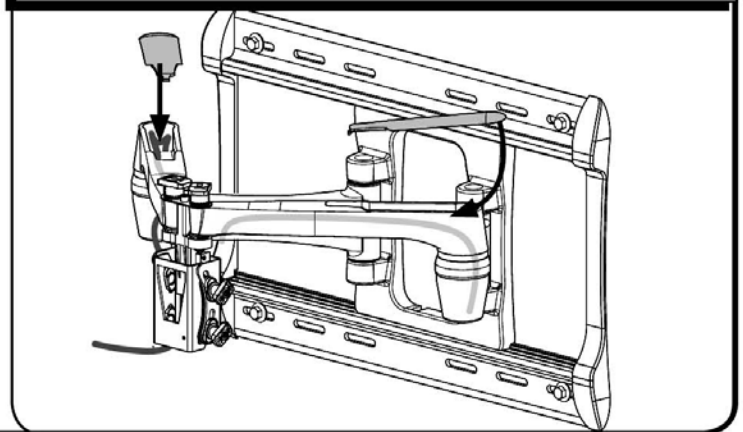


Remove the arm covers by pressing the front of the cover; the rear of the cover will pop upward.

## 7-1 Route Cables



Pull each arm to its full extension then route the cables through the arm. Leave enough slack to prevent stretching the cables when the arm is moved. Reattach cable covers



## Troubleshooting and Maintenance

To remove the TV: (See illustrations in step 4.)

1. Unscrew the locking screw **[23]**.
2. Push to release the locking tab **(L)**.
3. Carefully lift the TV from the arm **[03]**.

TV will not hold the downward tilt position and floats upward:

1. Adjust tilt tension setting (see step 5-3).
2. If the problem persists, use a bracket installation option that uses longer spacers (see step 1-4).

TV will not hold the home position and floats downward:

1. Adjust tilt tension setting (see step 5-3).
2. If the problem persists, use a bracket installation option that uses shorter spacers (see step 1-4).

# SÉURA®

800.957.3872

[www.seura.com](http://www.seura.com)

Séura, Inc.  
1230 Ontario Road  
Green Bay, WI 54311  
800.95.SEURA  
t: 920.857.9069  
f: 920.857.9490

© Séura 2012  
All Rights Reserved

10-1-12



## RECYCLE

---

Séura packaging is 100% recyclable. Please utilize recycling facilities in your area to dispose of all paper and plastic packaging materials.