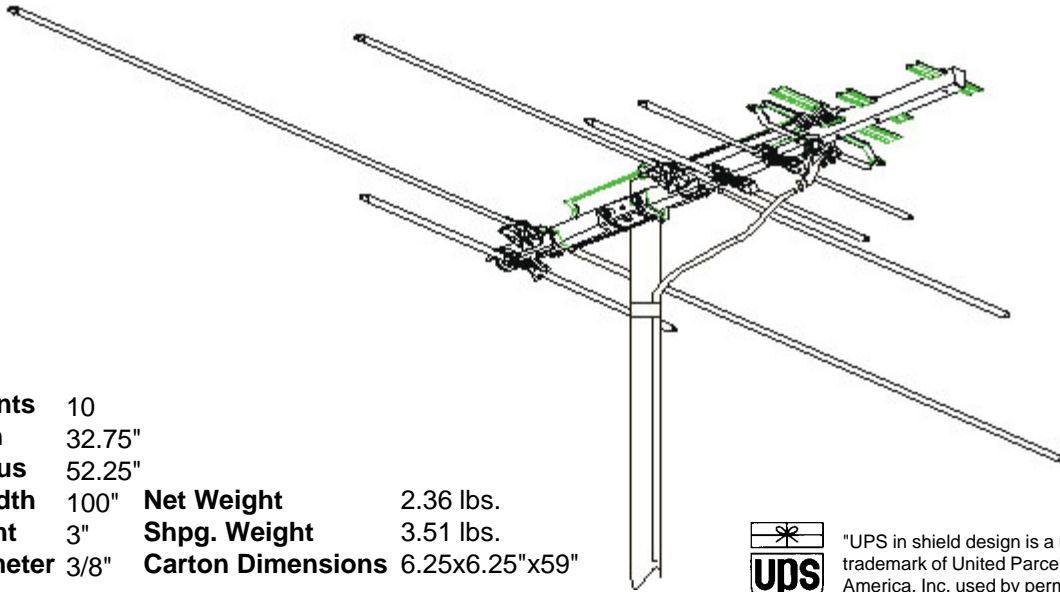


**engineering specifications**

Model PR-7000



**Active Elements** 10  
**Boom Length** 32.75"  
**Turning Radius** 52.25"  
**Maximum Width** 100" **Net Weight** 2.36 lbs.  
**Vertical Height** 3" **Shpg. Weight** 3.51 lbs.  
**Element Diameter** 3/8" **Carton Dimensions** 6.25x6.25"x59"



"UPS in shield design is a registered trademark of United Parcel Service of America, Inc. used by permission."

**Output Impedance:** 300 ohm / 75 ohm with included transformer  
**Recommended Preamp:** AP Series

Made in U.S.A.

CHANNEL	CH.2	CH.4	CH.6	CH.7	CH.9	CH.11	CH.13	CH.14	CH.32	CH.50	CH.69
dB gain over reference dipole	.2	1.8	.5	5	5	5.3	4.1	3.6	5.1	6	6
beamwidth at half power points	83°	82°	78°	51°	66°	48°	33°	75°	54°	40°	43°
front-to-back ratio	1dB	1.5dB	3dB	8.5dB	12dB	12.5dB	4.5dB	7dB	10.5dB	14dB	11dB

**POLAR PATTERNS**

